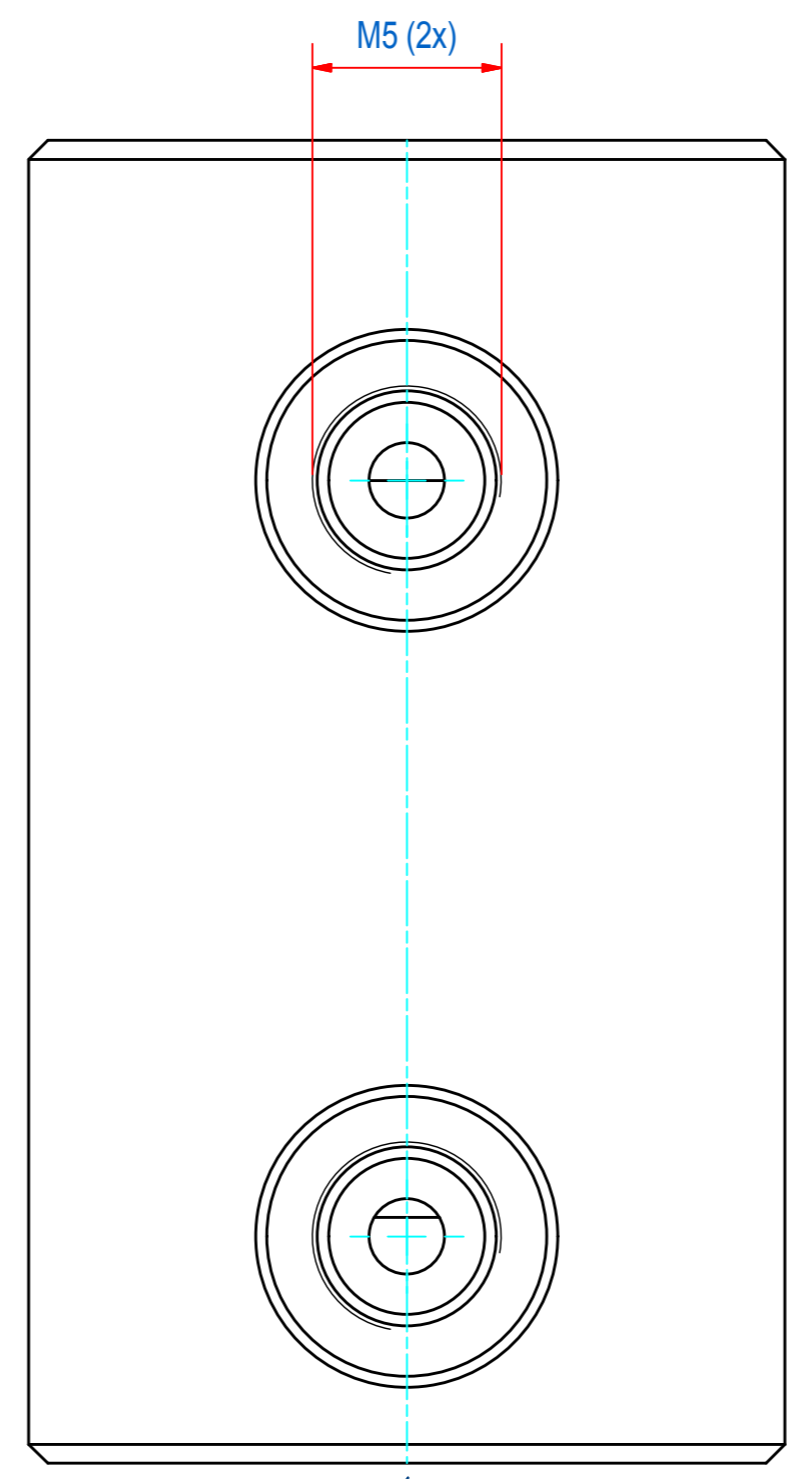
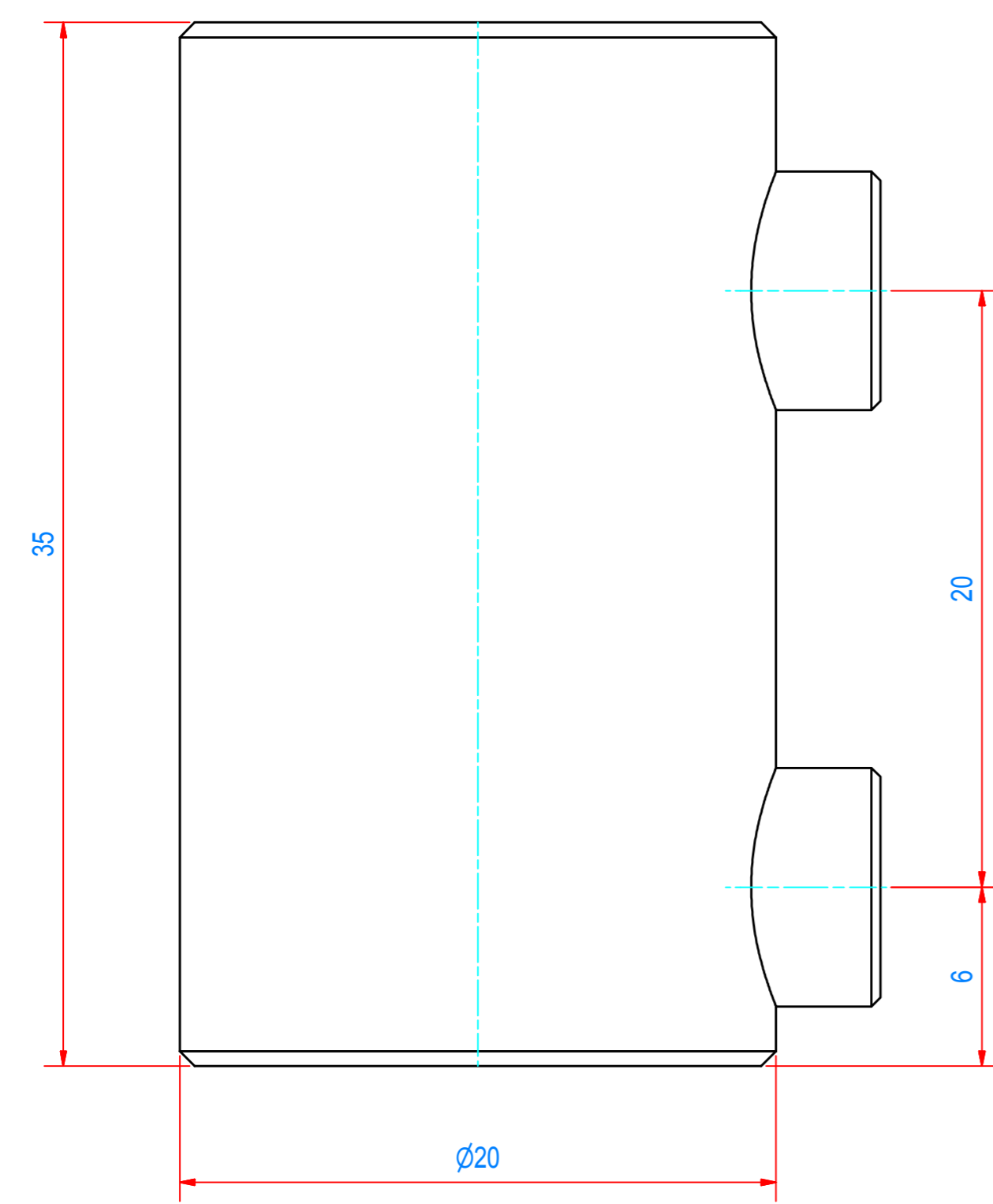
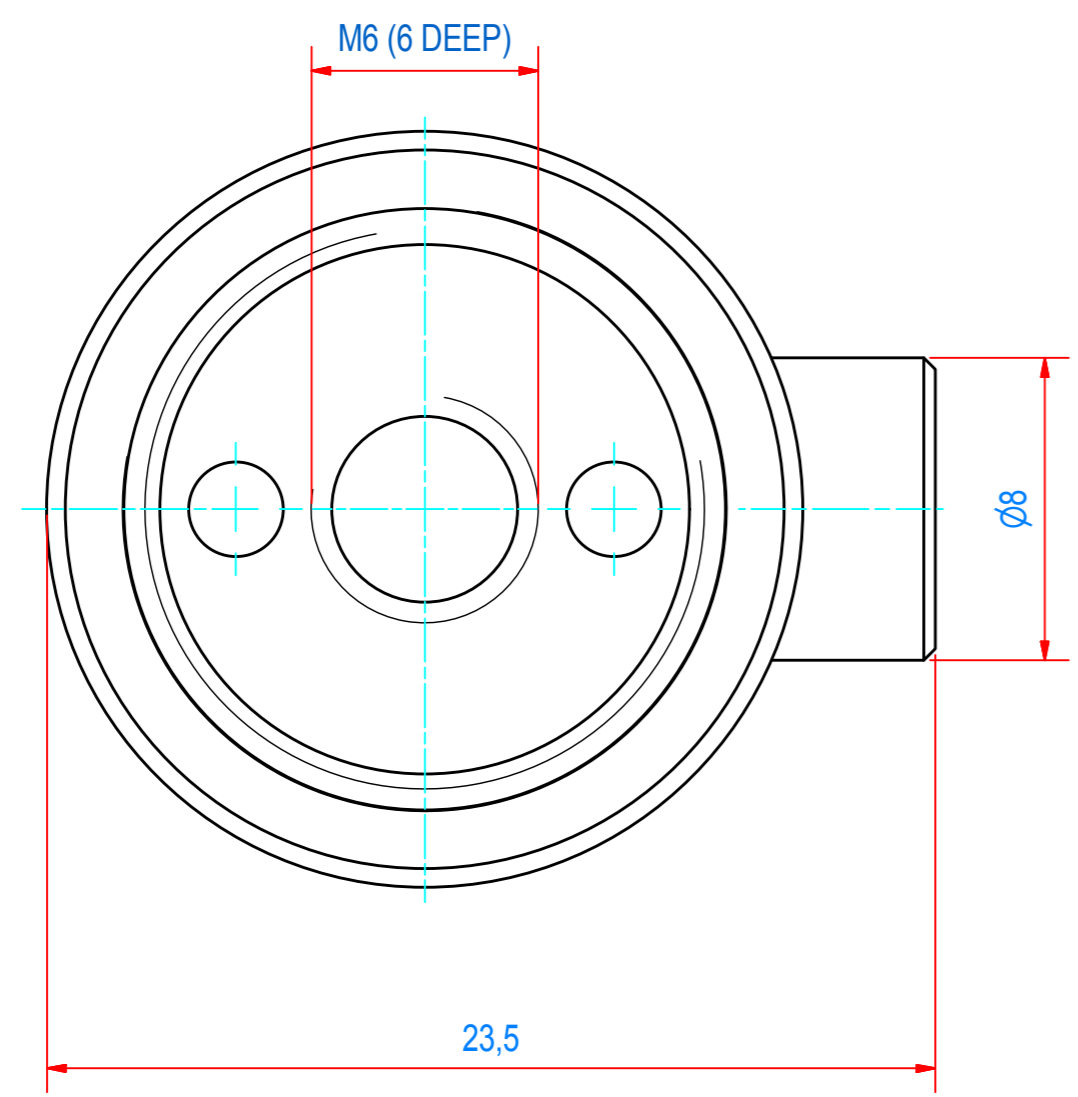


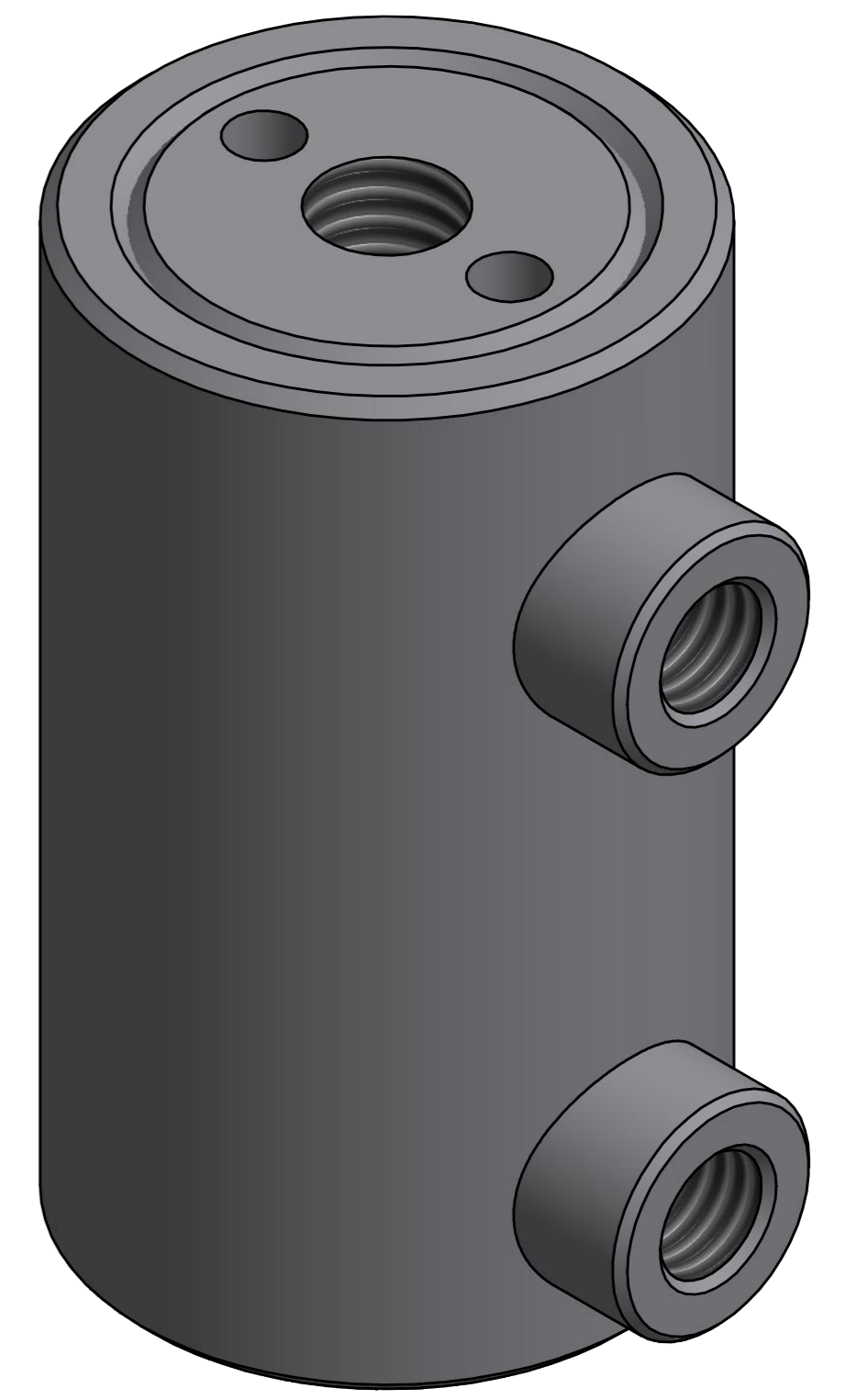
REV	DATE	BY	DESCRIPTION
-	10-4-2013	BS	NEW VAULT, NOTHING CHANGED, IS EQUAL TO OLD REVISION C

NEXT STEP
automation

(주)넥스텝
Tel. 053-604-3040 Fax. 053-604-3042
Web.nstep.co.kr Mob.010-4488-3040



MAGNETIC SURFACE



ITEM	QTY	PART NUMBER	DESCRIPTION	Dimensions	
1	1	M56335	MOUNTING ASSY TPGC020018	LENGTH (mm)	WIDTH (mm)
RAW MAT.	1				
Drawn:	BS	Weight (kg):	0,1	General tolerance: ISO 2768- mK	
Date:	10-4-2013	Goudsmit MAGNETIC SYSTEMS		Drawn according: ISO268; ISO1101; ISO2553	
Spare part:	False	TPGC020		Status: Standard	
Quick search:	TPGC020	HGR-RO-020-FL-R-M-F		Customer reference number:	
Description:		TPGC020018		File number: TPGC020018	
				Part number: TPGC020018	