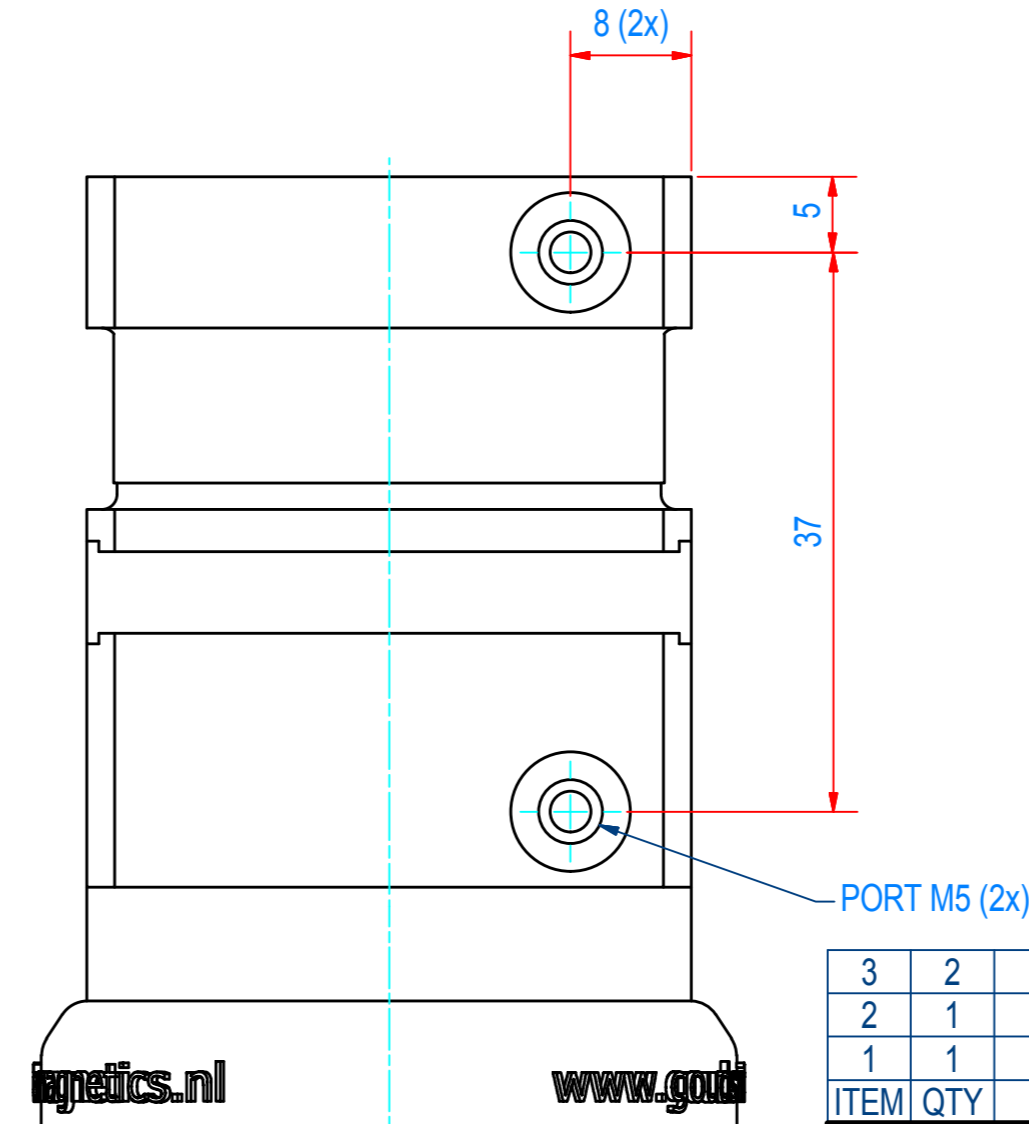
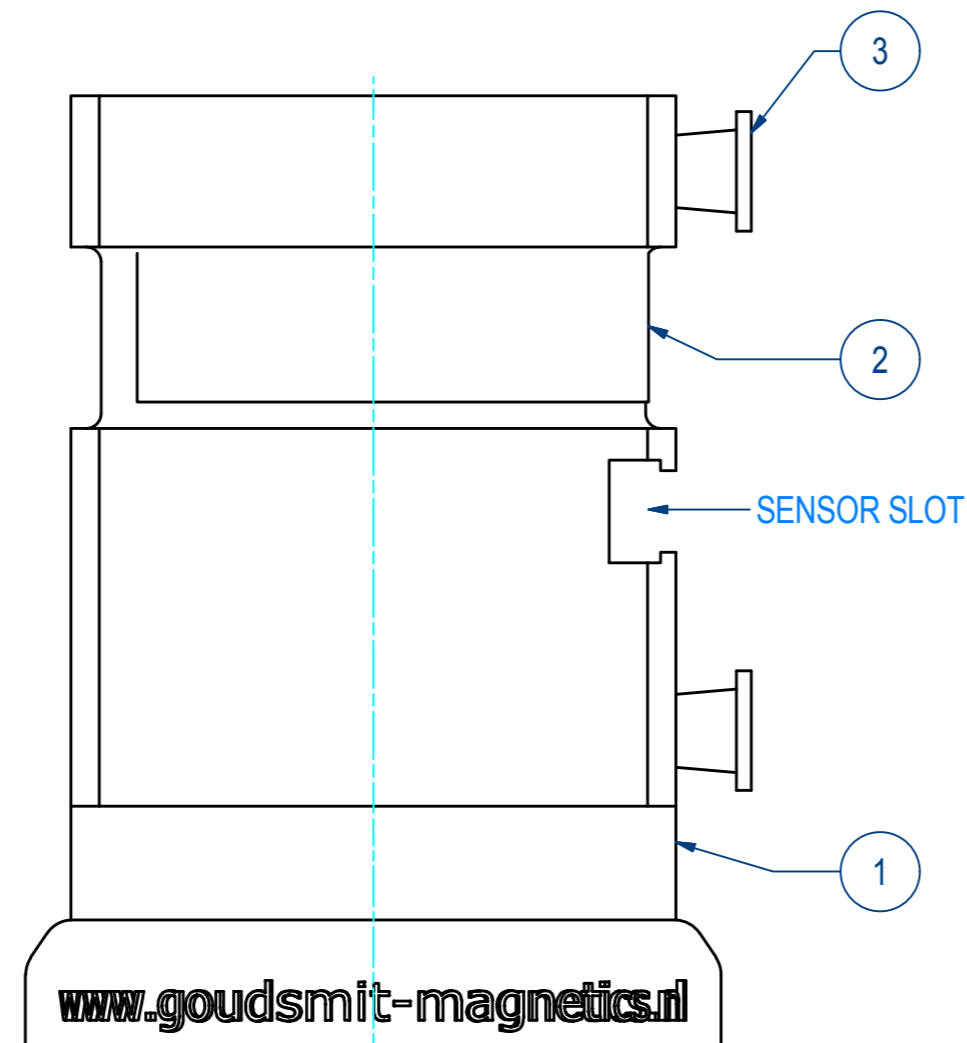
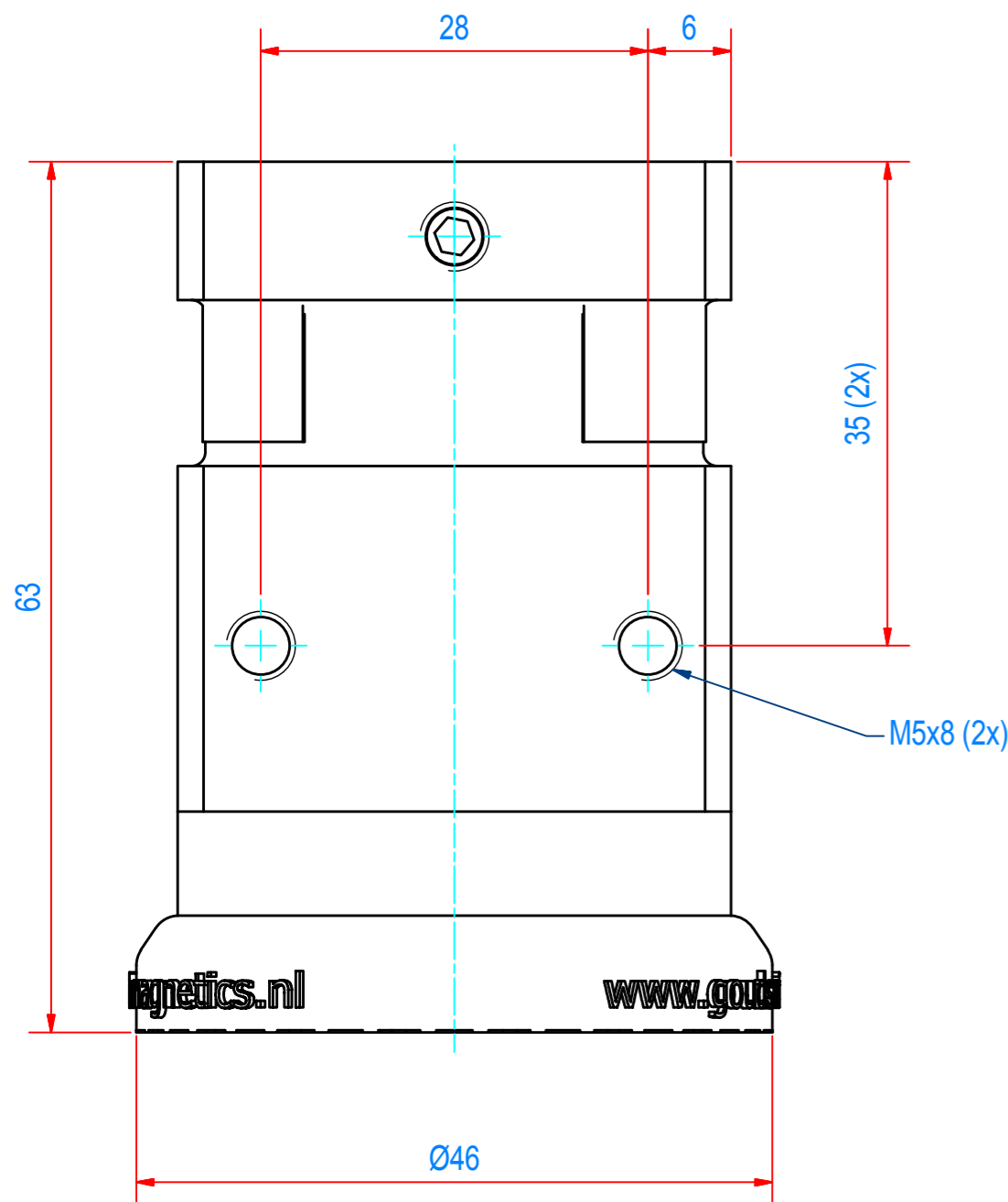
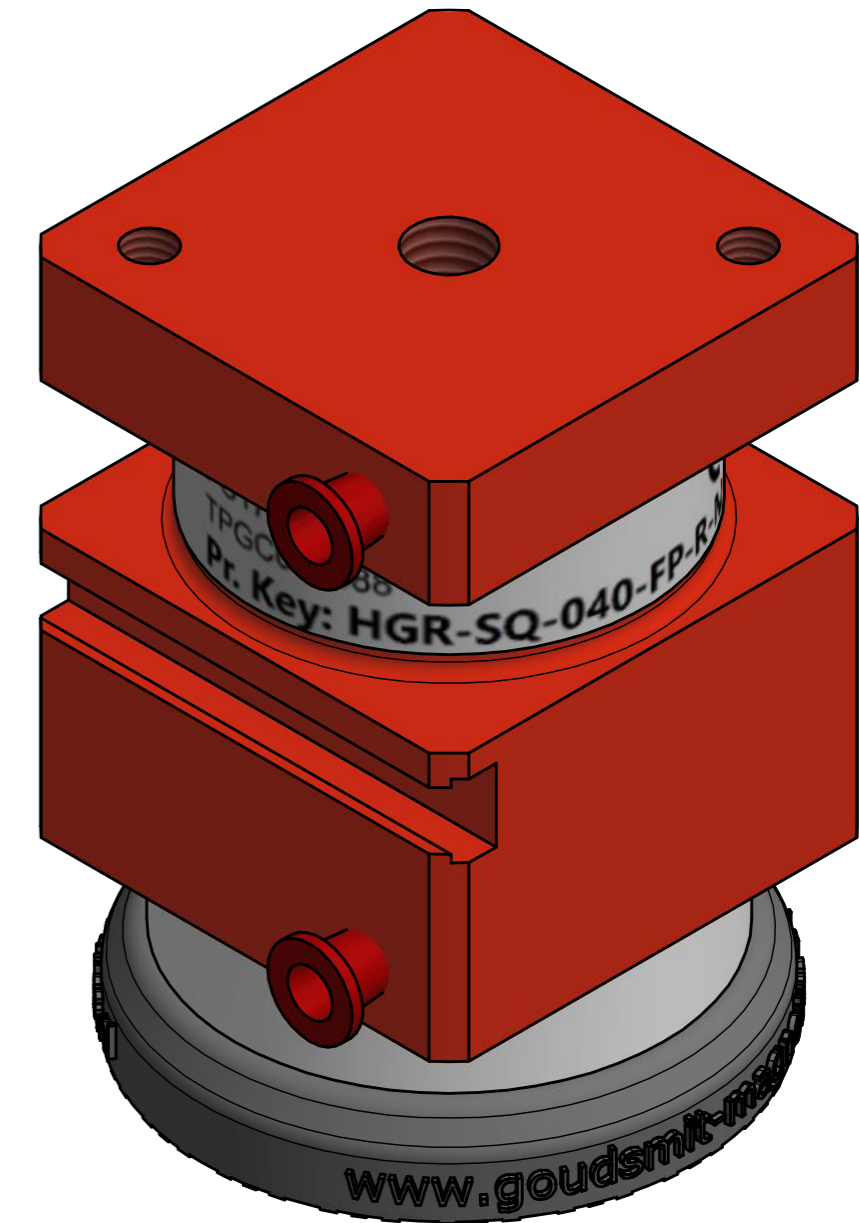
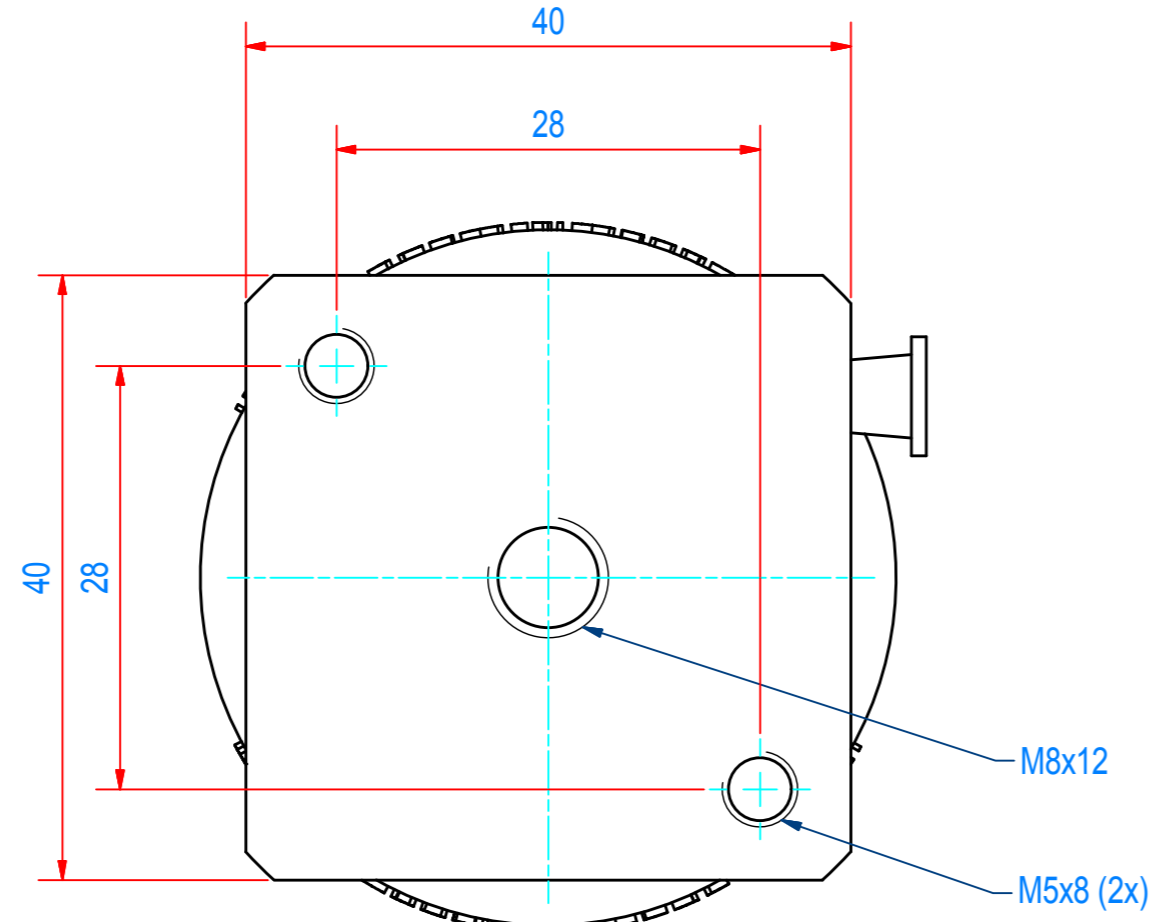


REV	DATE	BY	DESCRIPTION
-	22-10-2013	PB	NEW VAULT, NEW REVISION. NOTHING CHANGED. OLD REV WAS A
A	24-11-2017	PV	ITEM 3 (PLUG) ADDED



ITEM	QTY	PART NUMBER	DESCRIPTION	Dimensions
3	2	1009.30013	PLUG LDPE M5	
2	1	E0038046	STICKER TPGC040088	
1	1	A190072	MOUNTING ASSY TPGC040088	

RAW MAT.	QTY	MAT. NUMBER	MAT. DESCRIPTION	LENGTH (mm)	WIDTH (mm)
⊕	1				

Sheet: A2	Extra info:	General tolerance: ISO 2768 - mK
Drawn: BS	Weight (kg): 0,2	Drawn according: ISO268; ISO1101; ISO2553
Date: 22-10-2013		Status: Standard
Spare part: False		Customer reference number:
Quick search: TPGC040		File number: E0086390
Description: HGR-SQ-040-FP-R-M-S		Part number: TPGC040088

