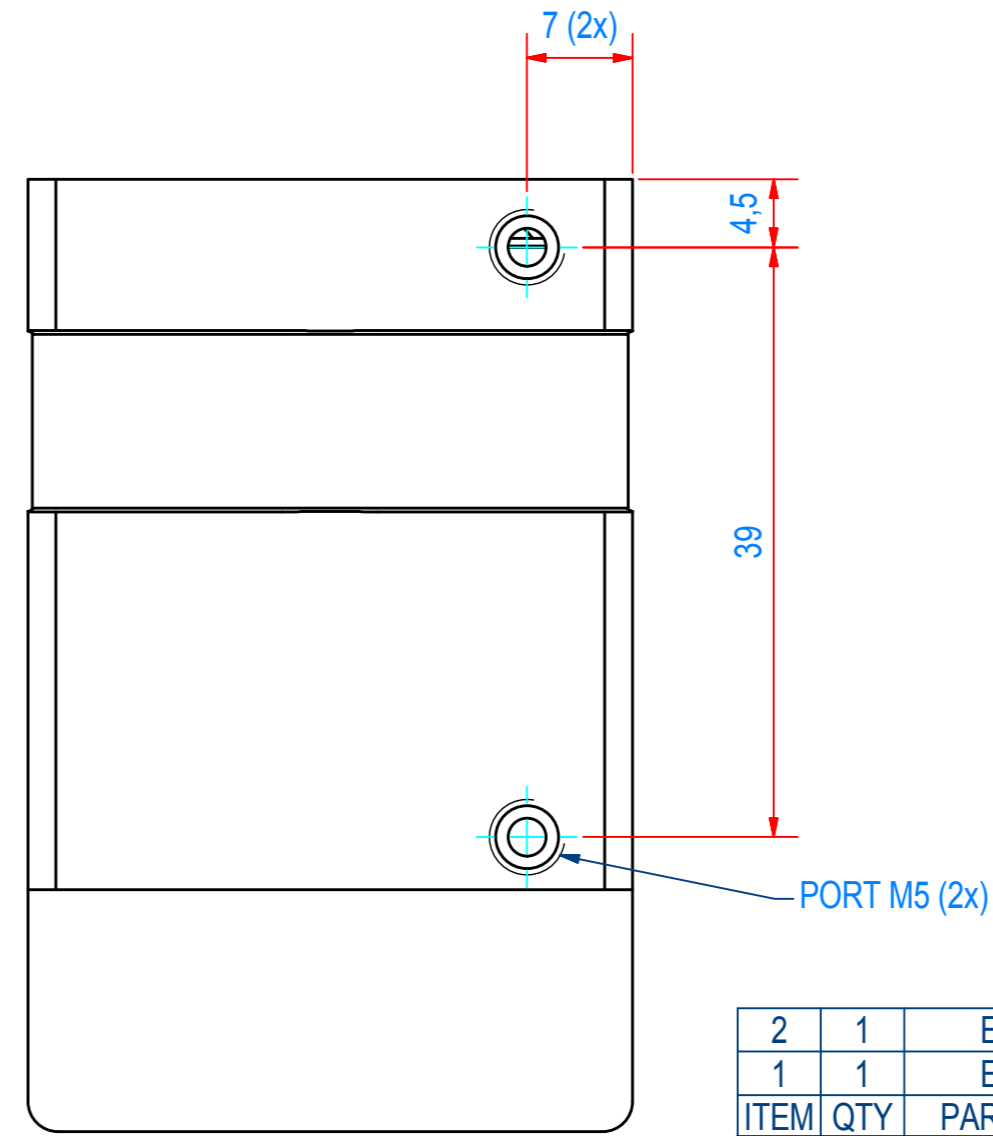
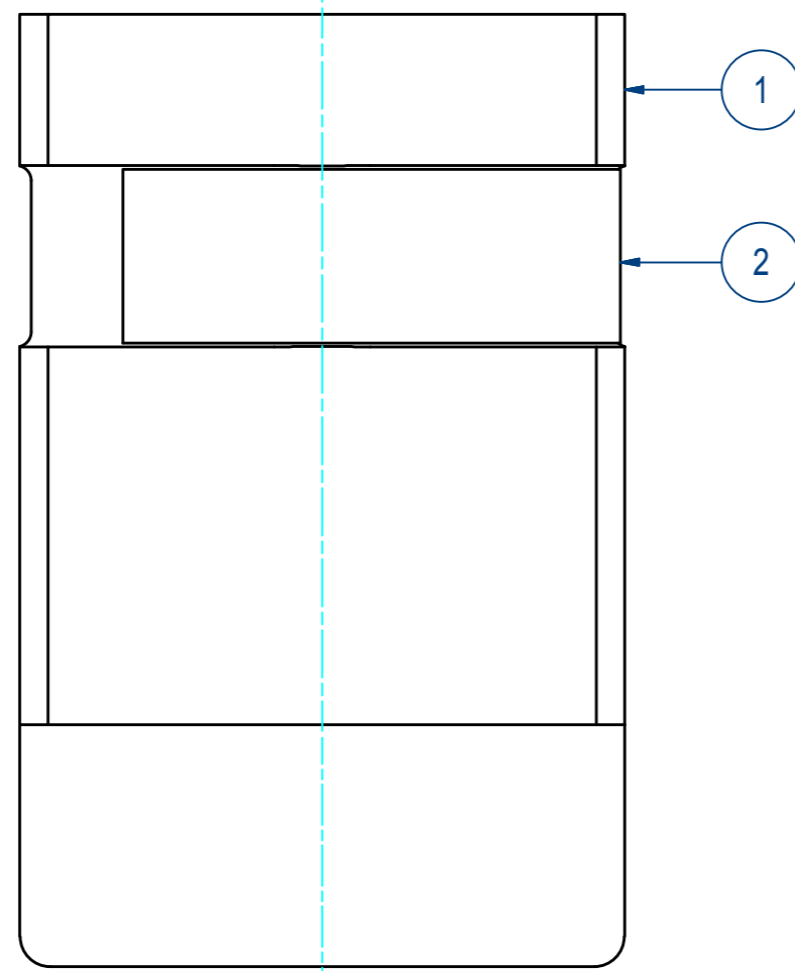
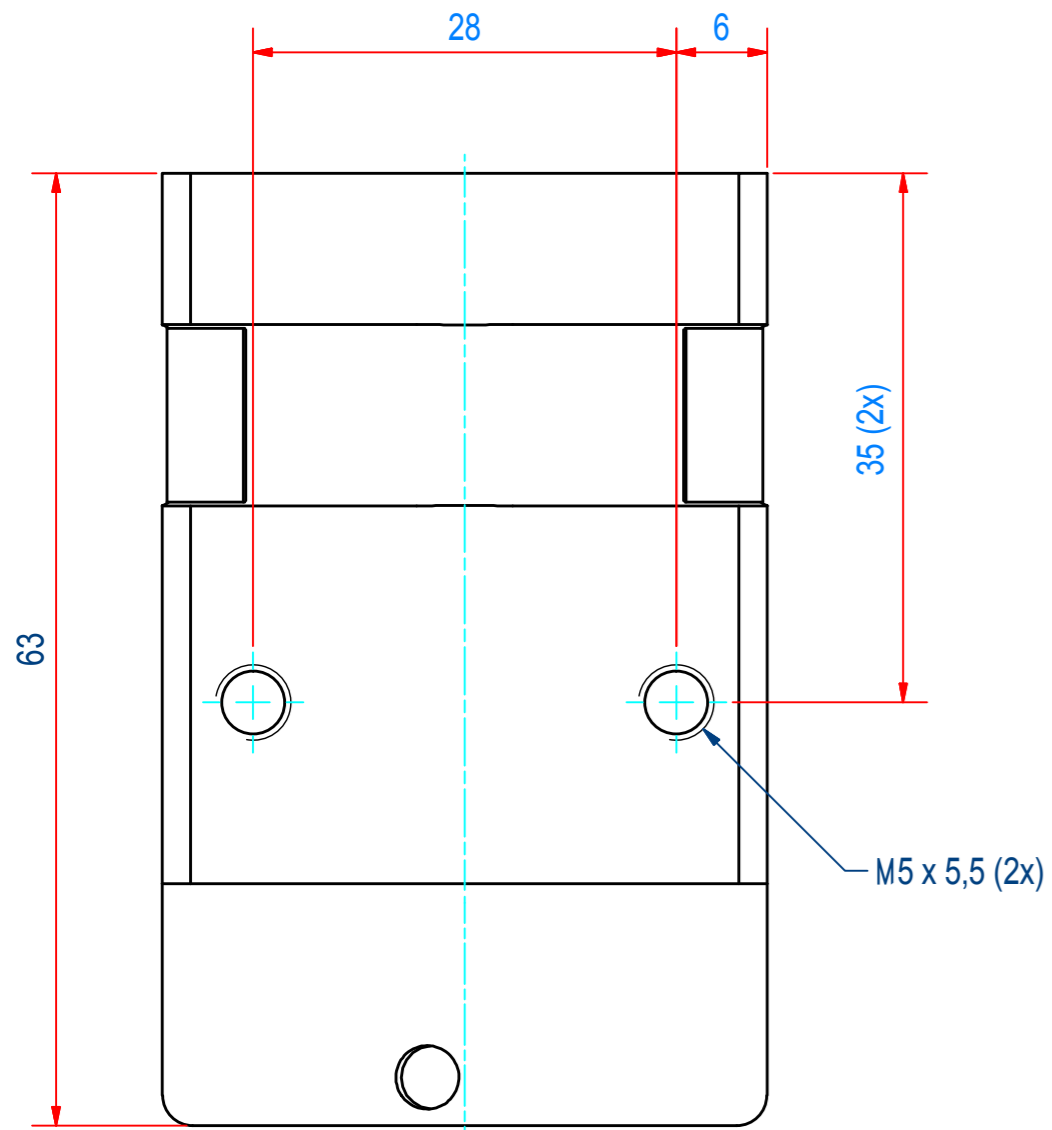
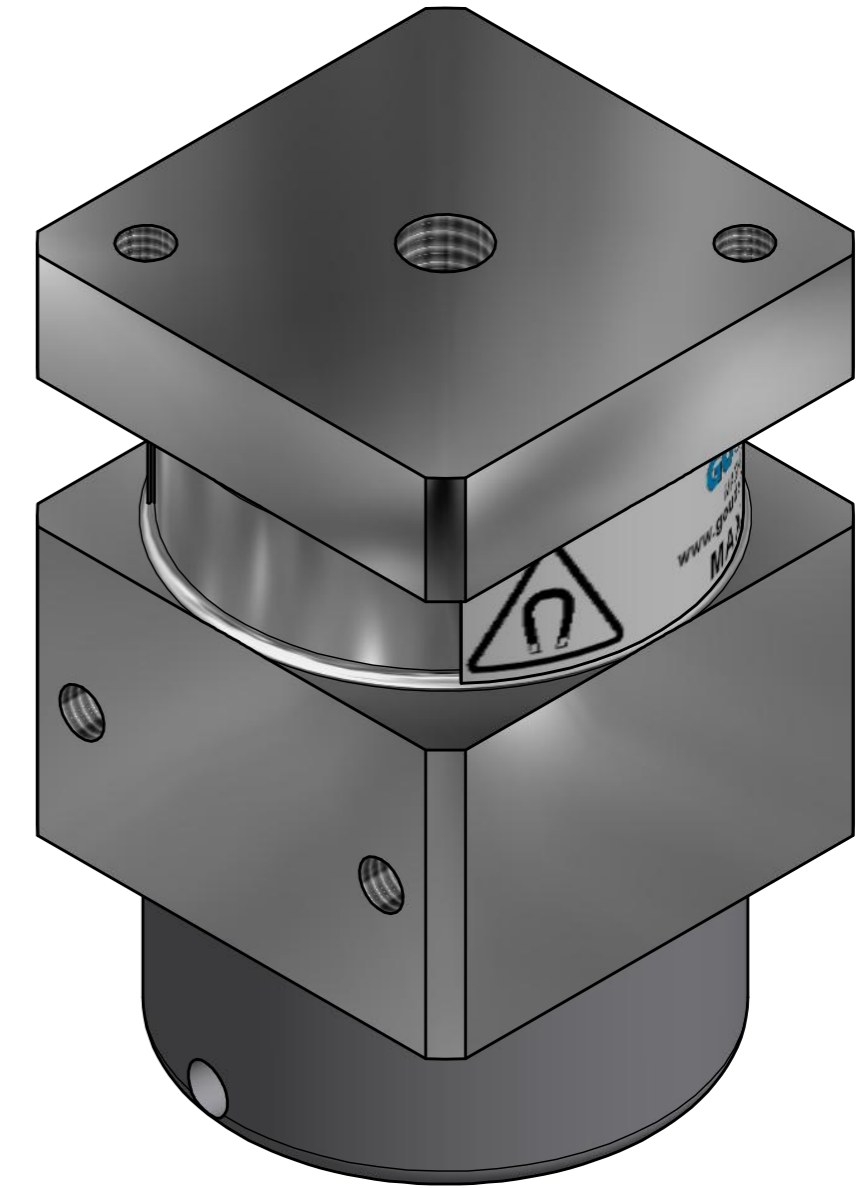
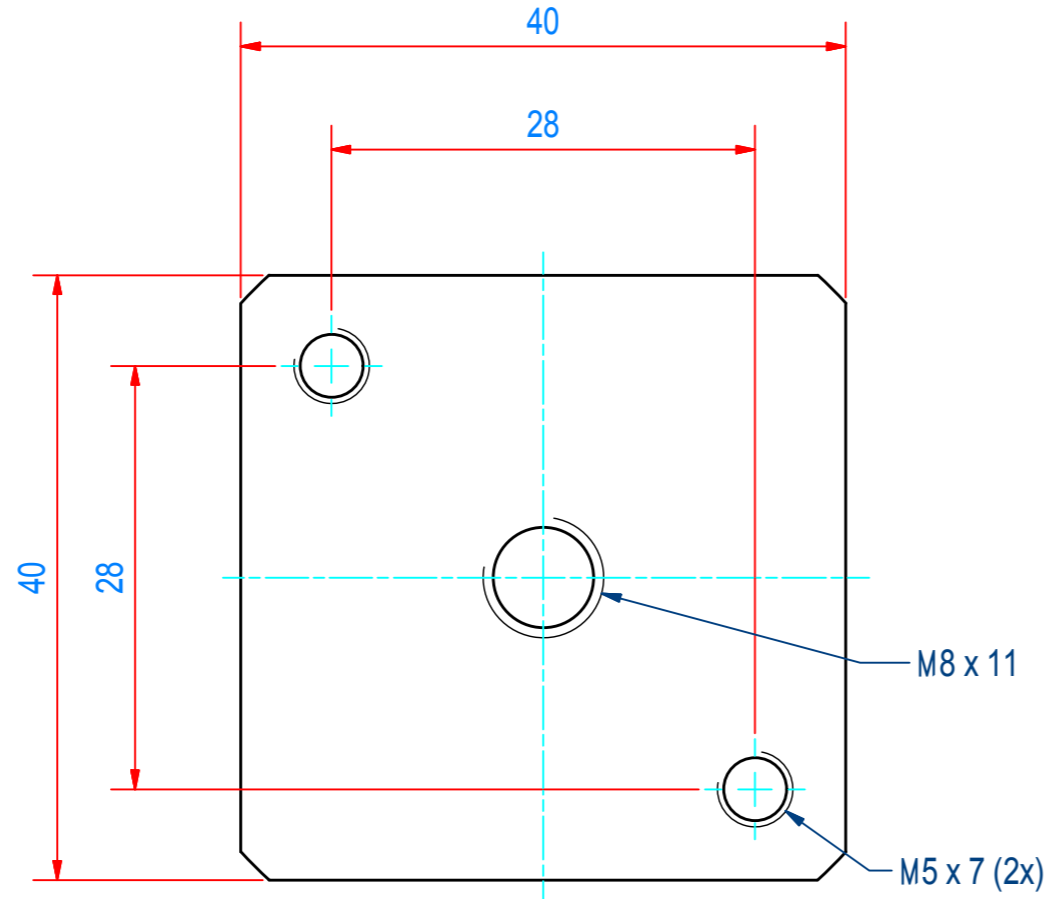


REV	DATE	BY	DESCRIPTION
-	9-7-2013	BS	NEW VAULT, NOTHING CHANGED, IS EQUAL TO OLD REVISION A
A	3-12-2014	GS	MOUNTING ASSY WAS A190496
B	12-11-2015	AvD	ITEM 1 CHANGED: E0044336 WAS E0025632



ITEM	QTY	PART NUMBER	DESCRIPTION	Dimensions
2	1	E0038038	STICKER TPGC040378	
1	1	E0044336	MOUNTING ASSY TPGC040378	
RAW MAT.	1			
QTY		MAT. NUMBER	MAT. DESCRIPTION	LENGTH (mm) WIDTH (mm)
Sheet: A2		Extra info: AMBIENT TEMP. MAX. 120°C		General tolerance: ISO 2768- mK
Drawn: AvD		Weight (kg): 0,2		Drawn according: ISO268; ISO1101; ISO2553
Date: 12-11-2015		Spare part: False		Status: Standard
Quick search: TPGC040		Description: HGR-SQ-040-FL-RH-M-F		Customer reference number:
		Goudsmits Magnetic Systems logo and text		File number: TPGC040378 Rev: B
				Part number: TPGC040378 Rev: B