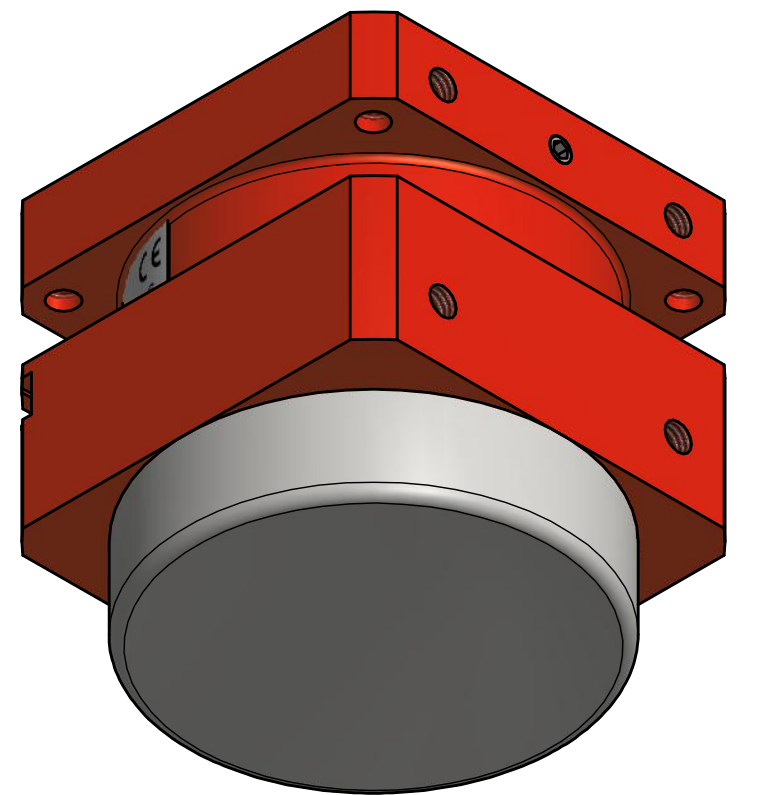
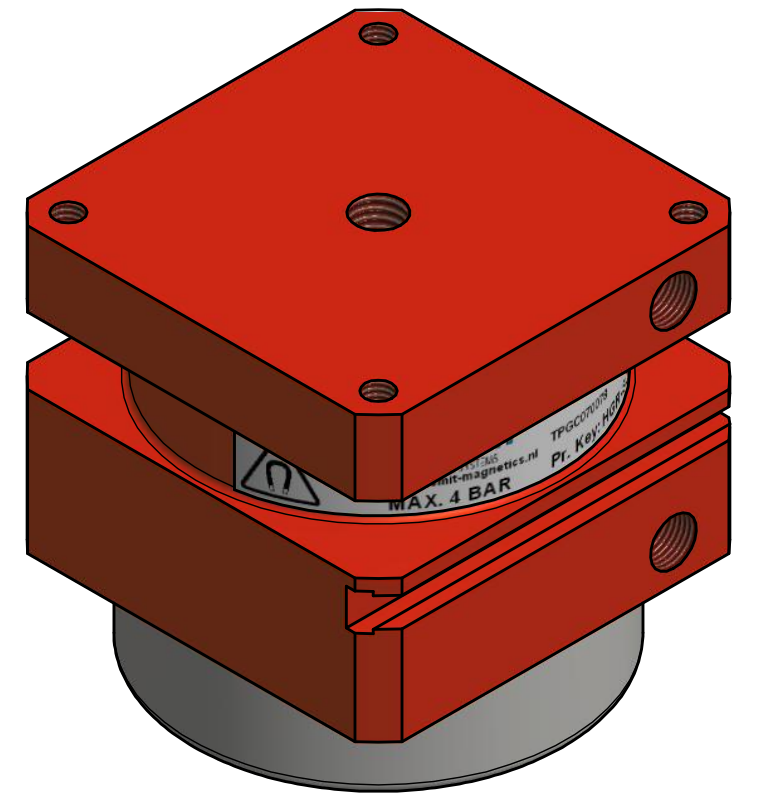
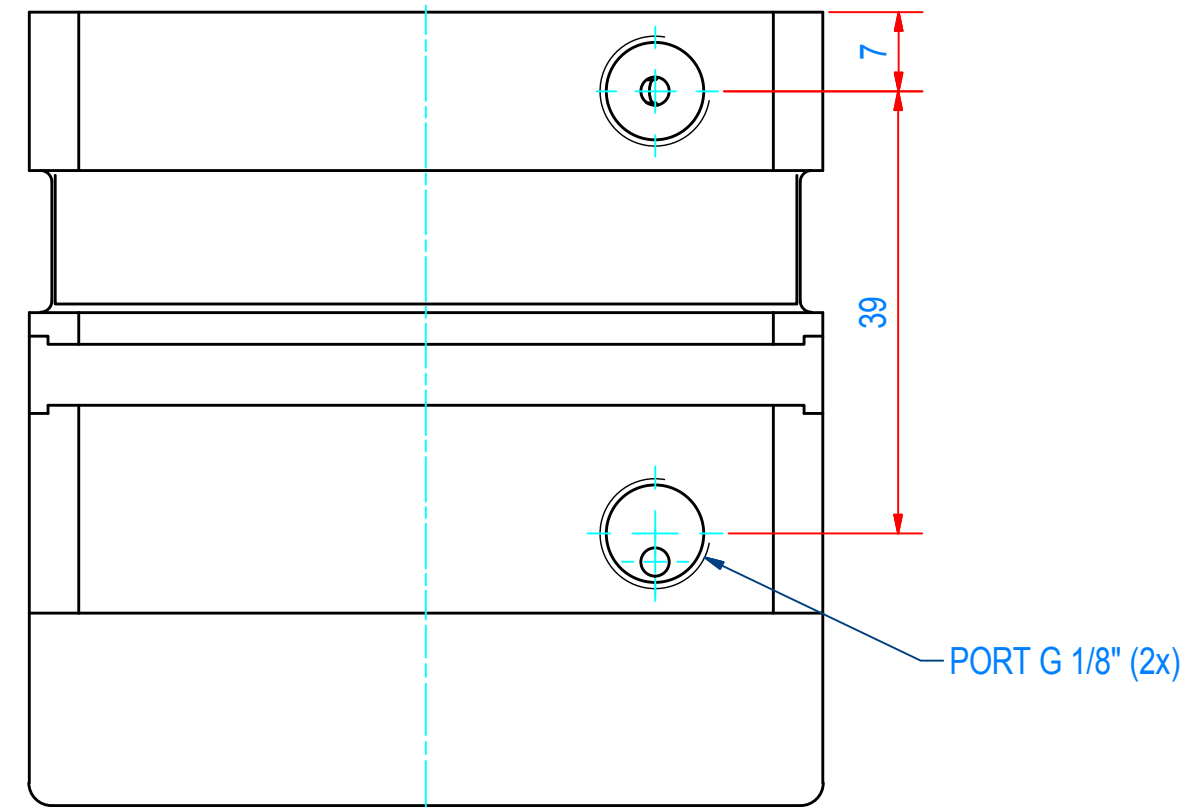
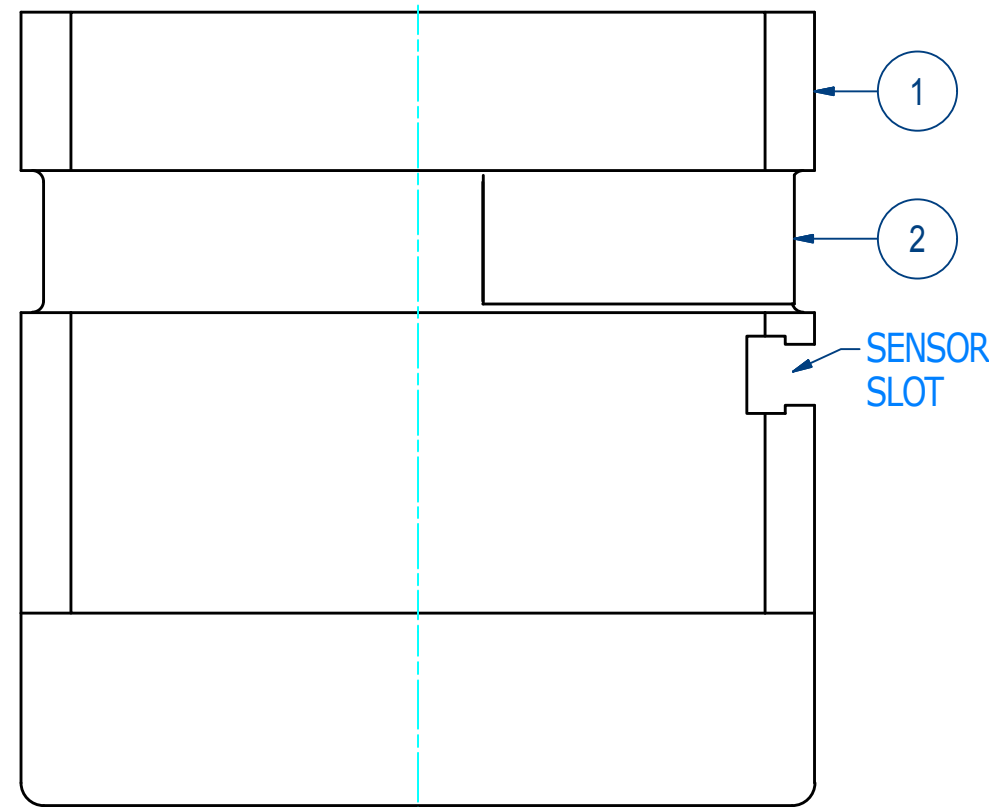
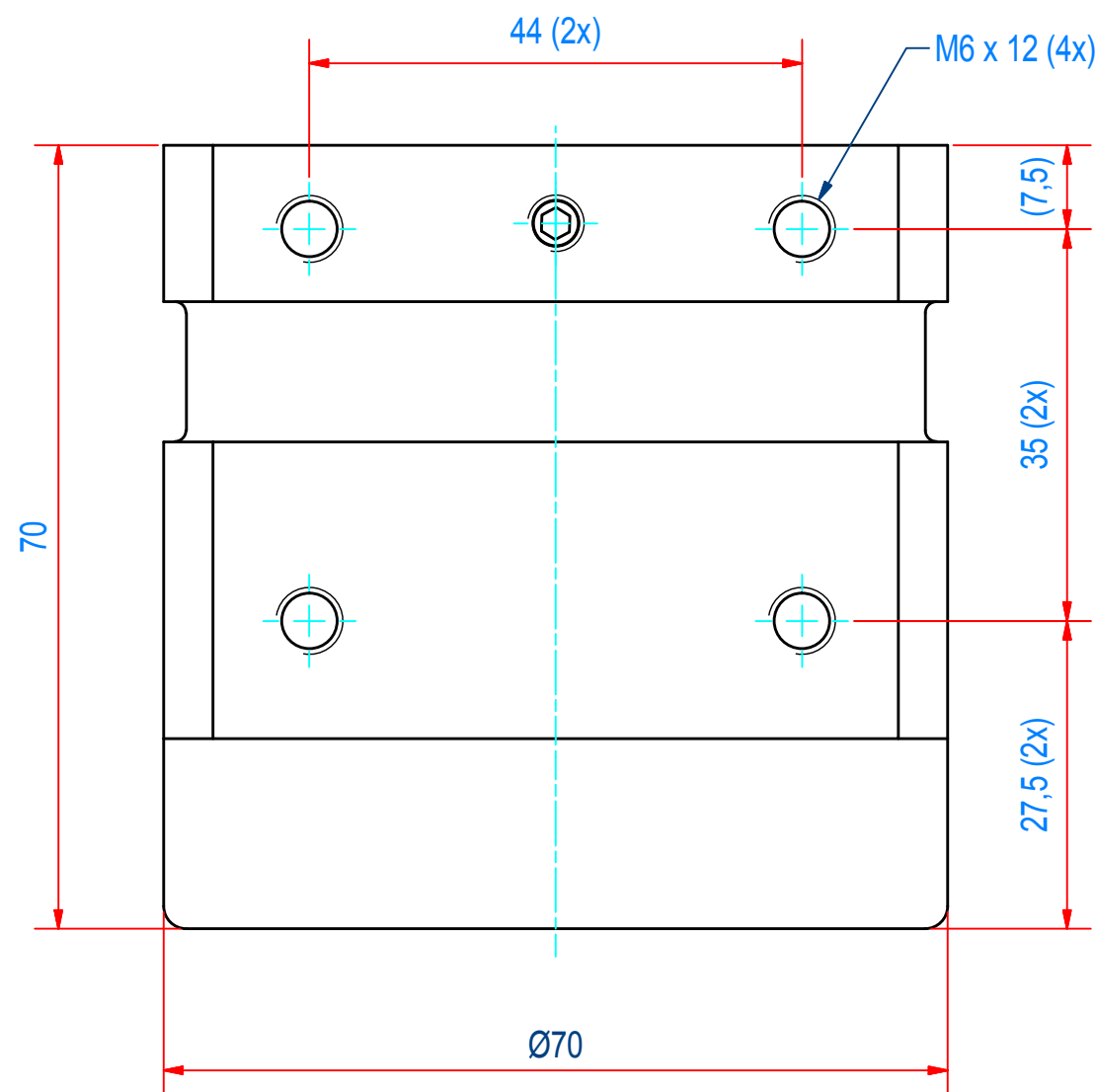
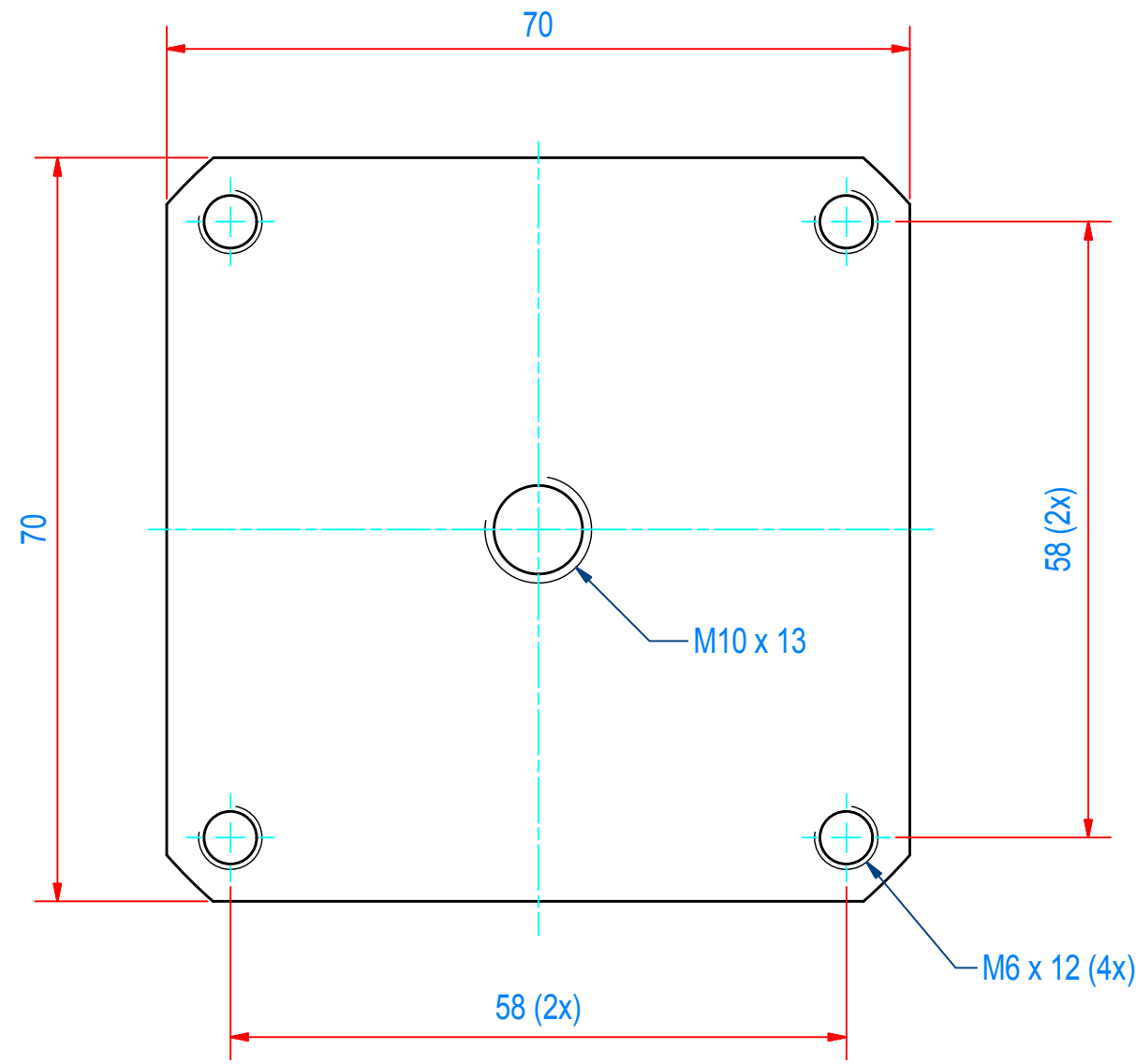


REV	DATE	BY	DESCRIPTION
-	17-6-2013	BS	NOTHING CHANGED, OLD REVISION B
A	2-1-2014	BS	SCREW CAP DESIGN CHANGED (NEW NUMBER WITH O-RING: E0011622)



ITEM	QTY	PART NUMBER	DESCRIPTION	Dimensions
2	1	E0038023	STICKER TPGC070078	
1	1	E0011627	MOUNTING ASSY TPGC070	
RAW MAT.	QTY	MAT. NUMBER	MAT. DESCRIPTION	LENGTH (mm) WIDTH (mm)
⊕	Sheet: A2	Extra info:		General tolerance: ISO 2768- mK
Drawn: BS	Weight (kg): 0,8	Date: 17-6-2013		Drawn according: ISO268; ISO1101; ISO2553
Spare part: False	Quick search: TPGC070	Description: HGR-SQ-070-FL-R-G-S		Status: Standard
				Customer reference number:
<small>© All rights reserved. Reproduction is not permitted without written permission of GOUDSMIT Magnetic Systems BV</small>				File number: TPGC070078 Rev: A
				Part number: TPGC070078 Rev: A