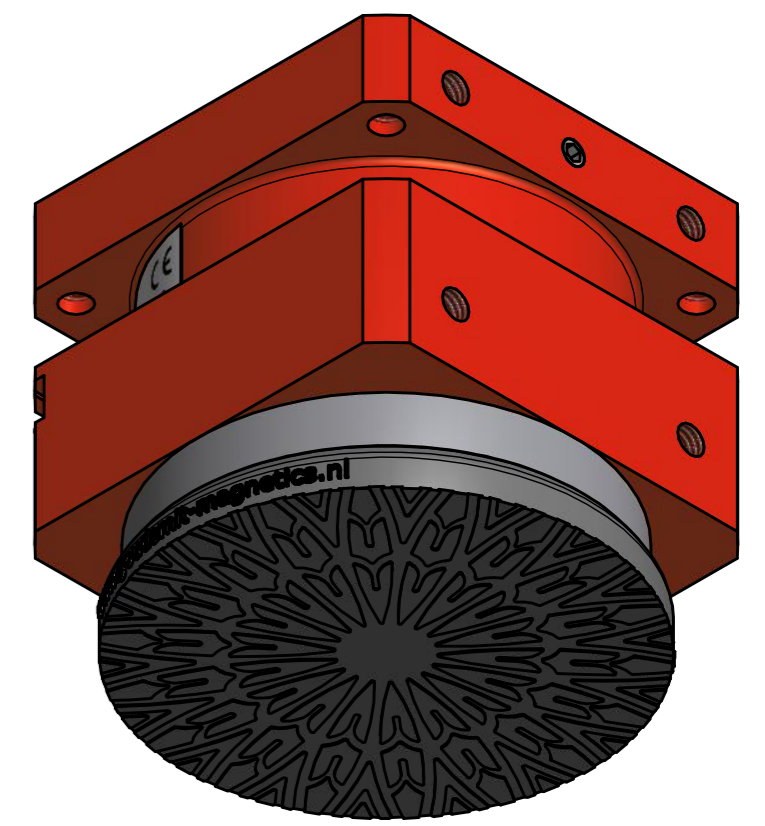
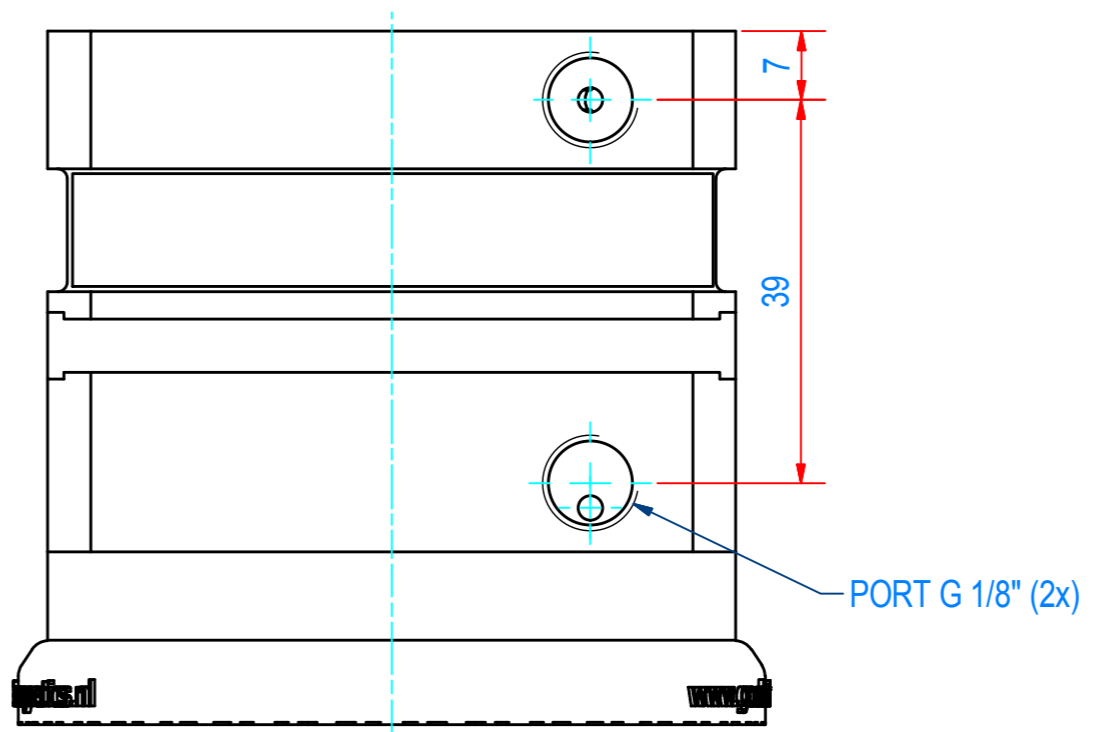
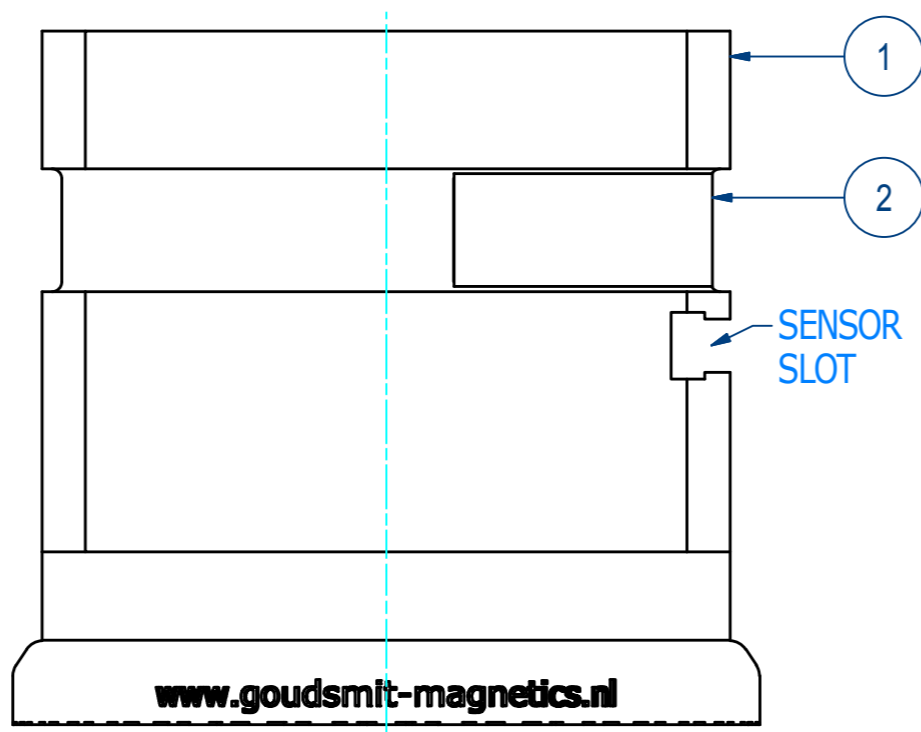
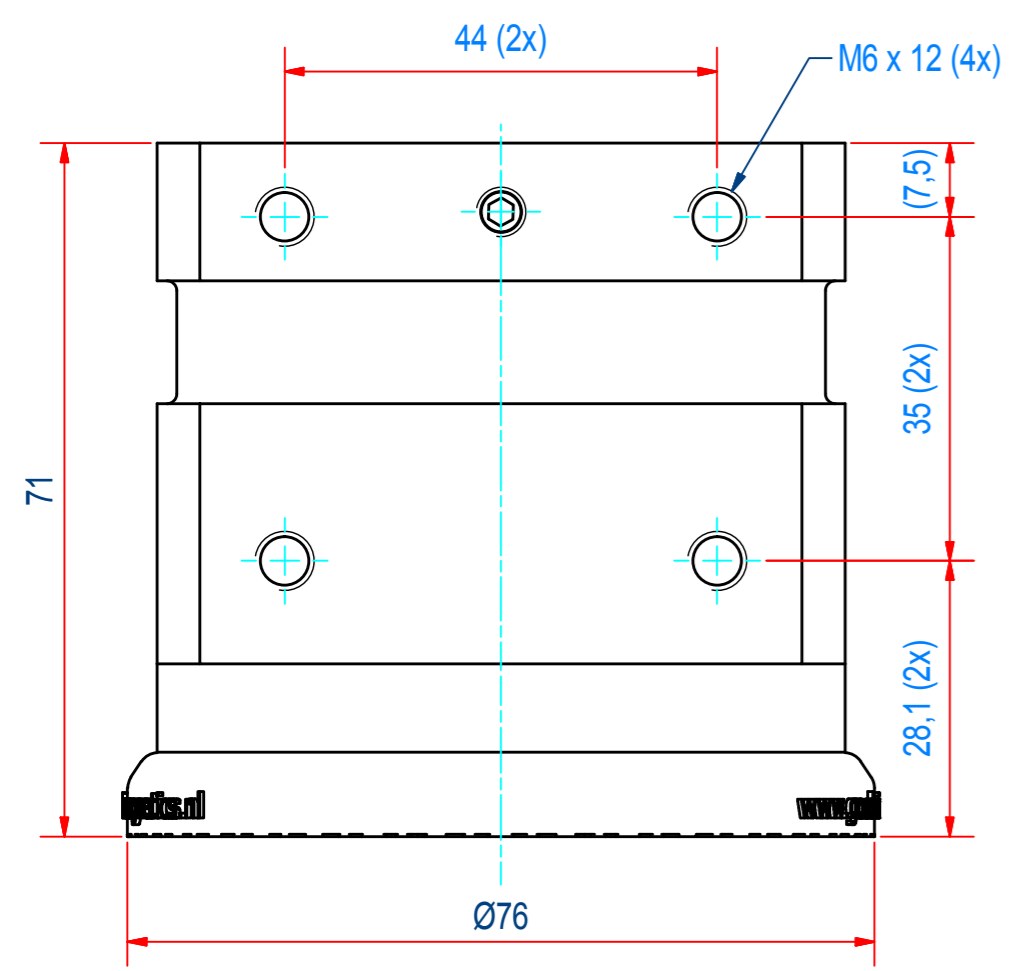
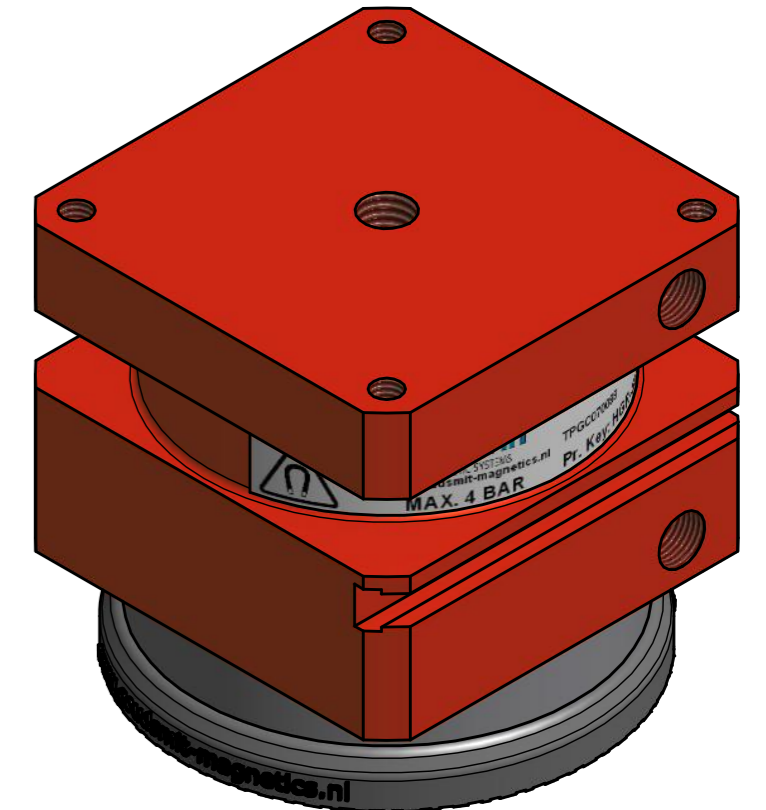
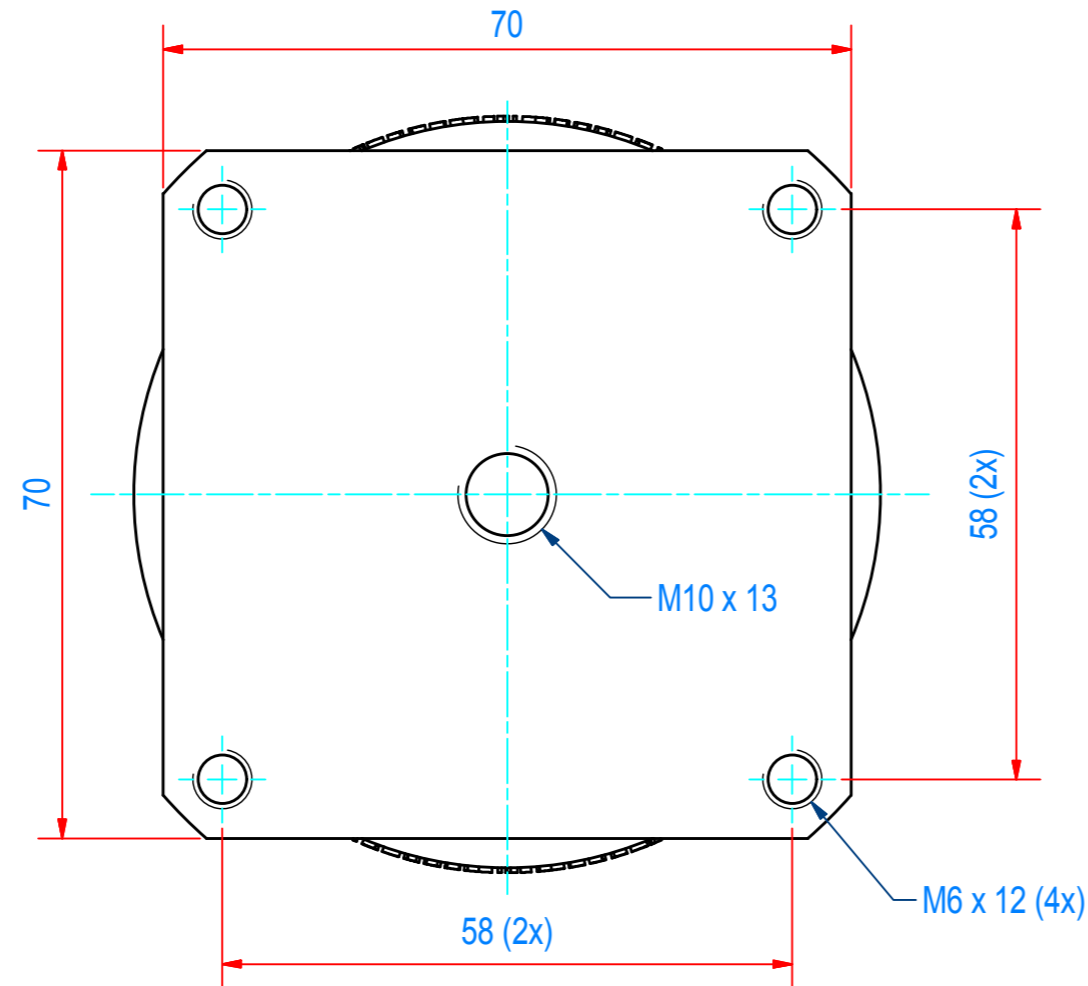


REV	DATE	BY	DESCRIPTION
-	18-12-2013	BS	NEW VAULT, NOTHING CHANGED, IS EQUAL TO OLD REVISION A



ITEM	QTY	PART NUMBER	DESCRIPTION	Dimensions
2	1	E0038049	STICKER TPGC070088	
1	1	A190243	MOUNTING ASSY TPGC070088	
RAW MAT.	1			
	QTY	MAT. NUMBER	MAT. DESCRIPTION	LENGTH (mm) WIDTH (mm)
Sheet: A2		Extra info:		General tolerance: ISO 2768 - mK
Drawn: BS		Weight (kg): 0,8		Drawn according: ISO268; ISO1101; ISO2553
Date: 17-12-2013		Goudsmit MAGNETIC SYSTEMS		Status: Standard
Spare part: False		© All rights reserved. Reproduction is not permitted without written permission of GOUDSMIT Magnetic Systems BV		Customer reference number:
Quick search: TPGC070		HGR-SQ-070-FP-R-G-S		File number: TPGC070088 Rev: -
Description:		TPGC070088		Part number: TPGC070088 Rev: -