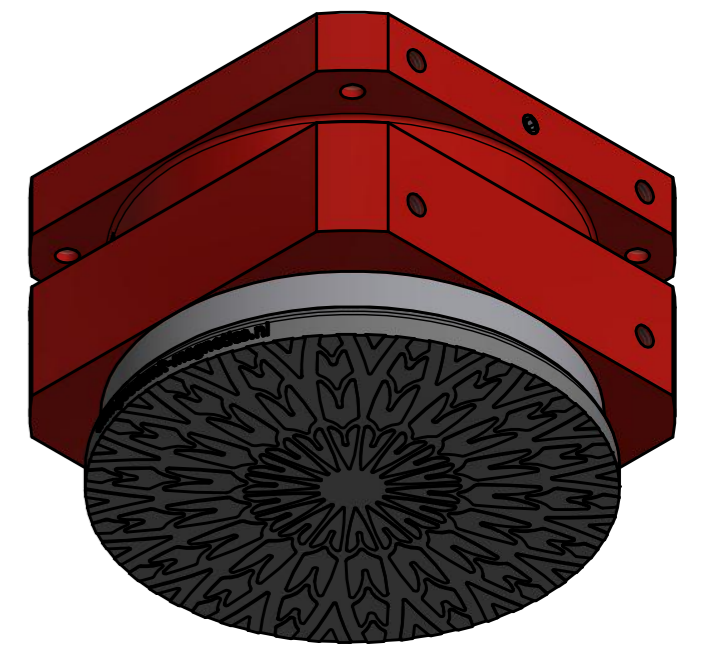
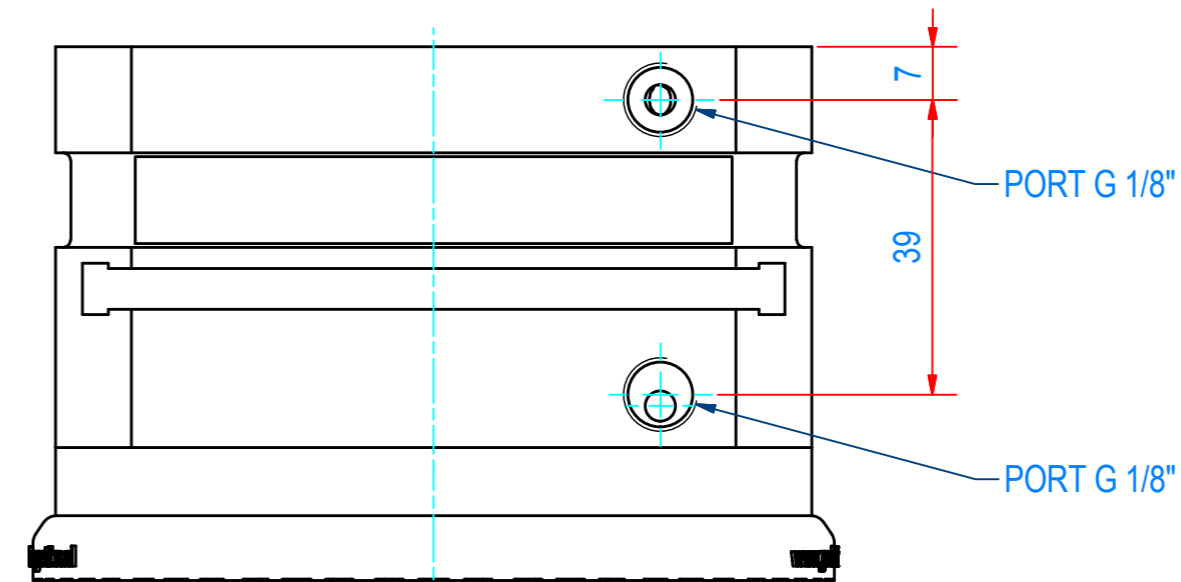
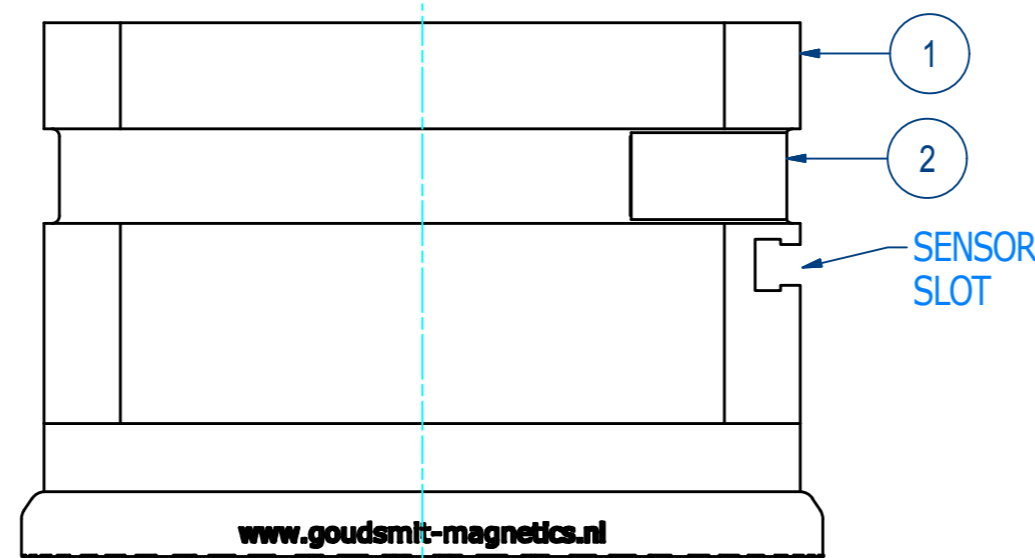
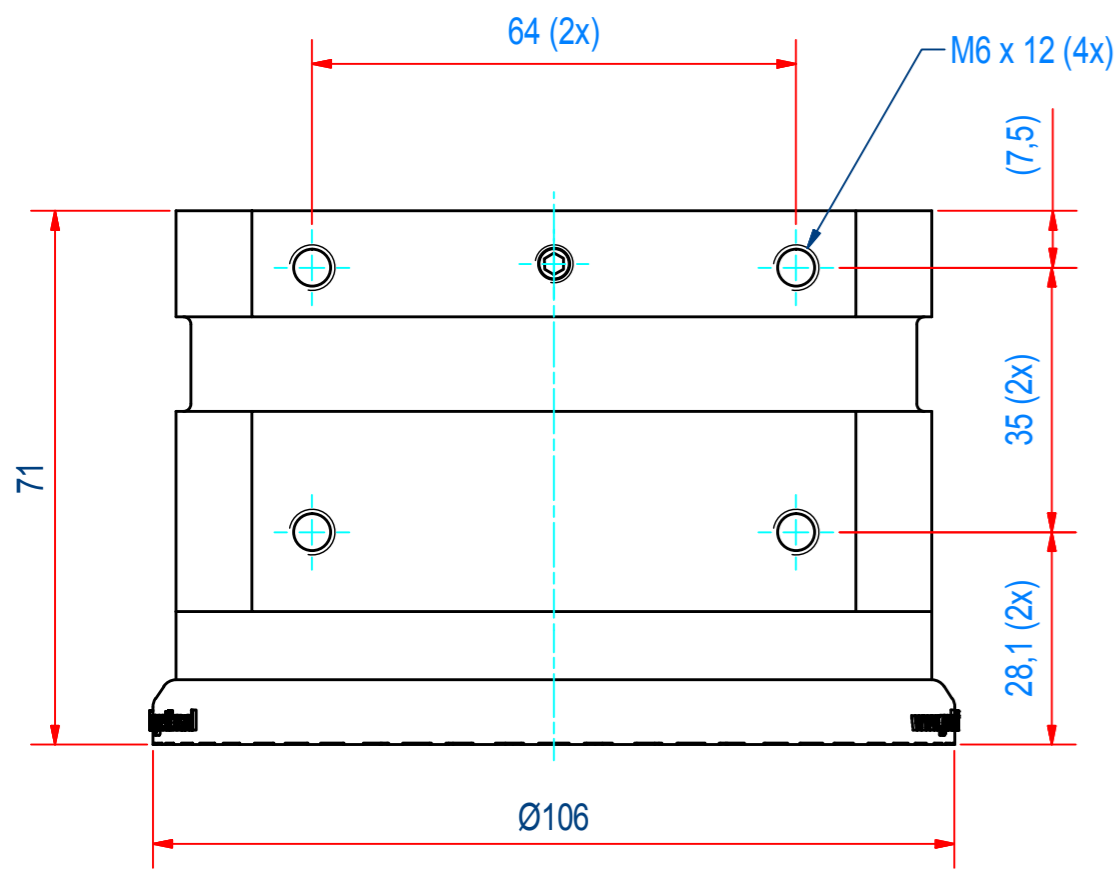
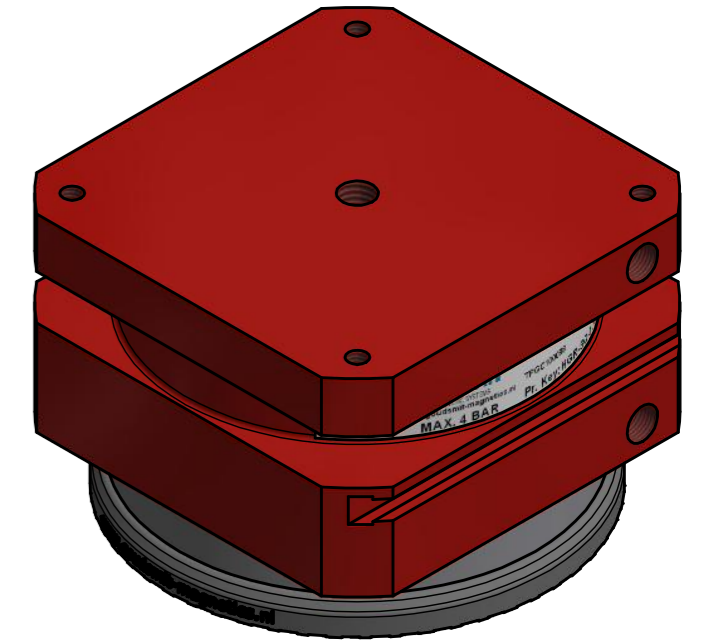
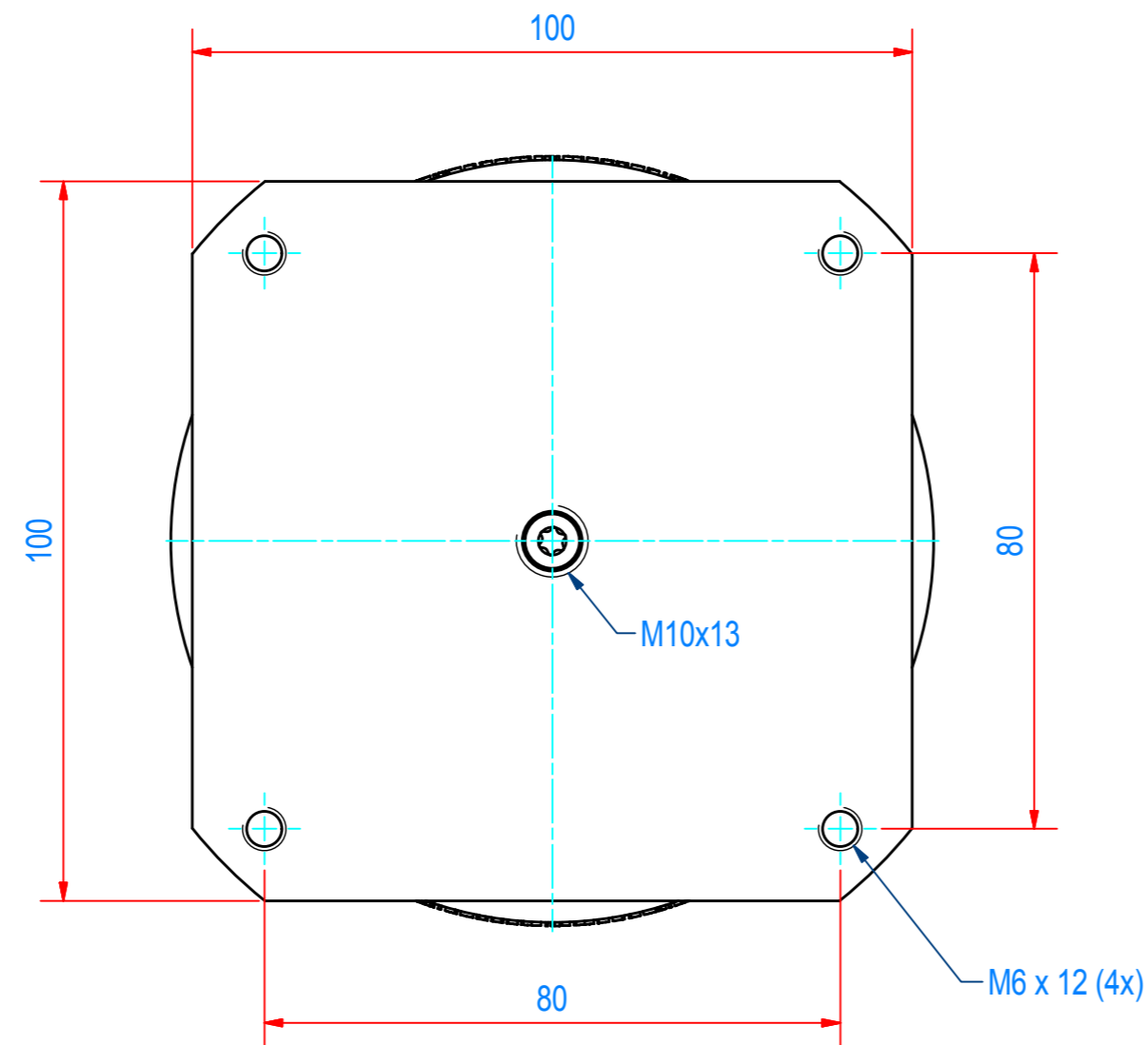


REV	DATE	BY	DESCRIPTION
-	18-12-2013	BS	NEW VAULT, NOTHING CHANGED, IS EQUAL TO OLD REVISION A



ITEM	QTY	PART NUMBER	DESCRIPTION	Dimensions
2	1	E0038051	STICKER TPGC100088	
1	1	A190306	MOUNTING ASSY TPGC100088	
RAW MAT.	QTY	MAT. NUMBER	MAT. DESCRIPTION	LENGTH (mm) WIDTH (mm)
1	1			
Sheet: A2		Extra info:		General tolerance: ISO 2768- mK
Drawn: BS		Weight (kg): 1,5		Drawn according: ISO268; ISO1101; ISO2553
Date: 17-12-2013		Goudsmit MAGNETIC SYSTEMS		Status: Standard
Spare part: False		© All rights reserved. Reproduction is not permitted without written permission of GOUDSMIT Magnetic Systems BV		Customer reference number:
Quick search: TPGC100		Description: HGR-SQ-100-FP-R-G-S		File number: TPGC100088 Rev: -
				Part number: TPGC100088 Rev: -