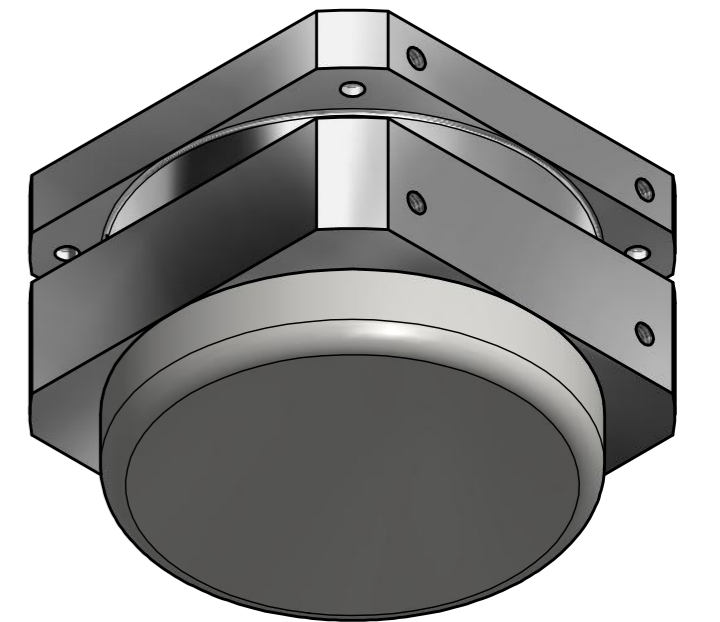
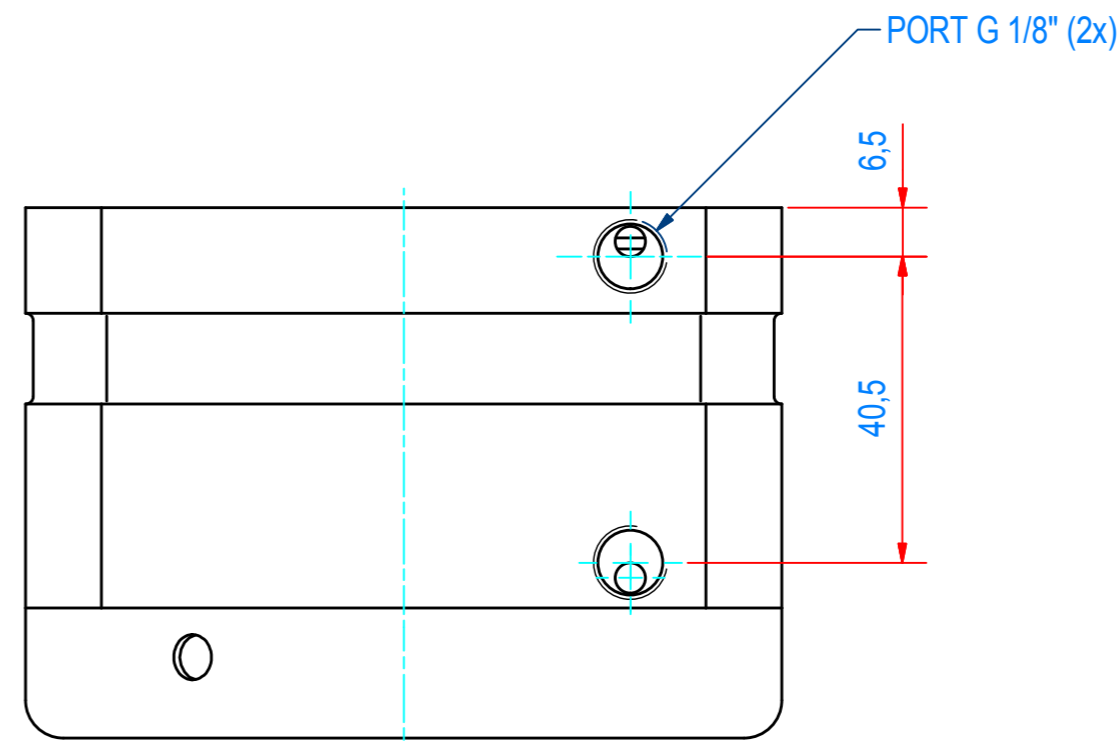
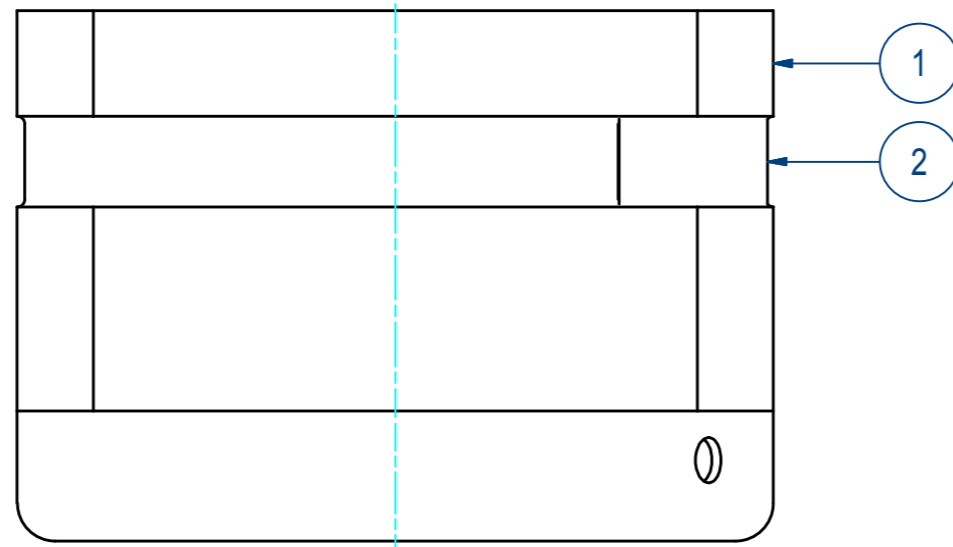
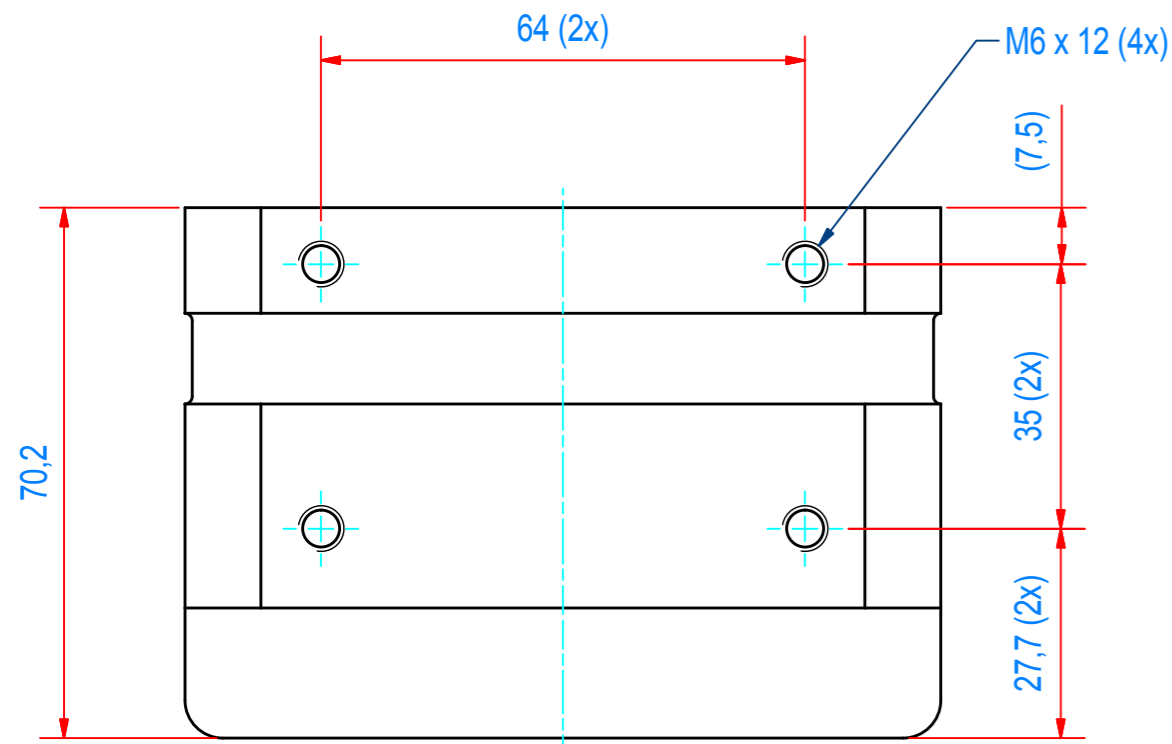
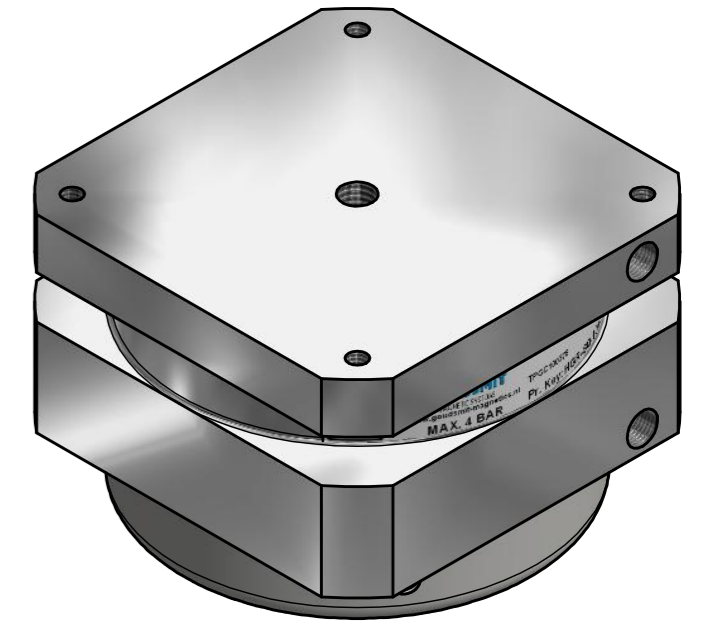
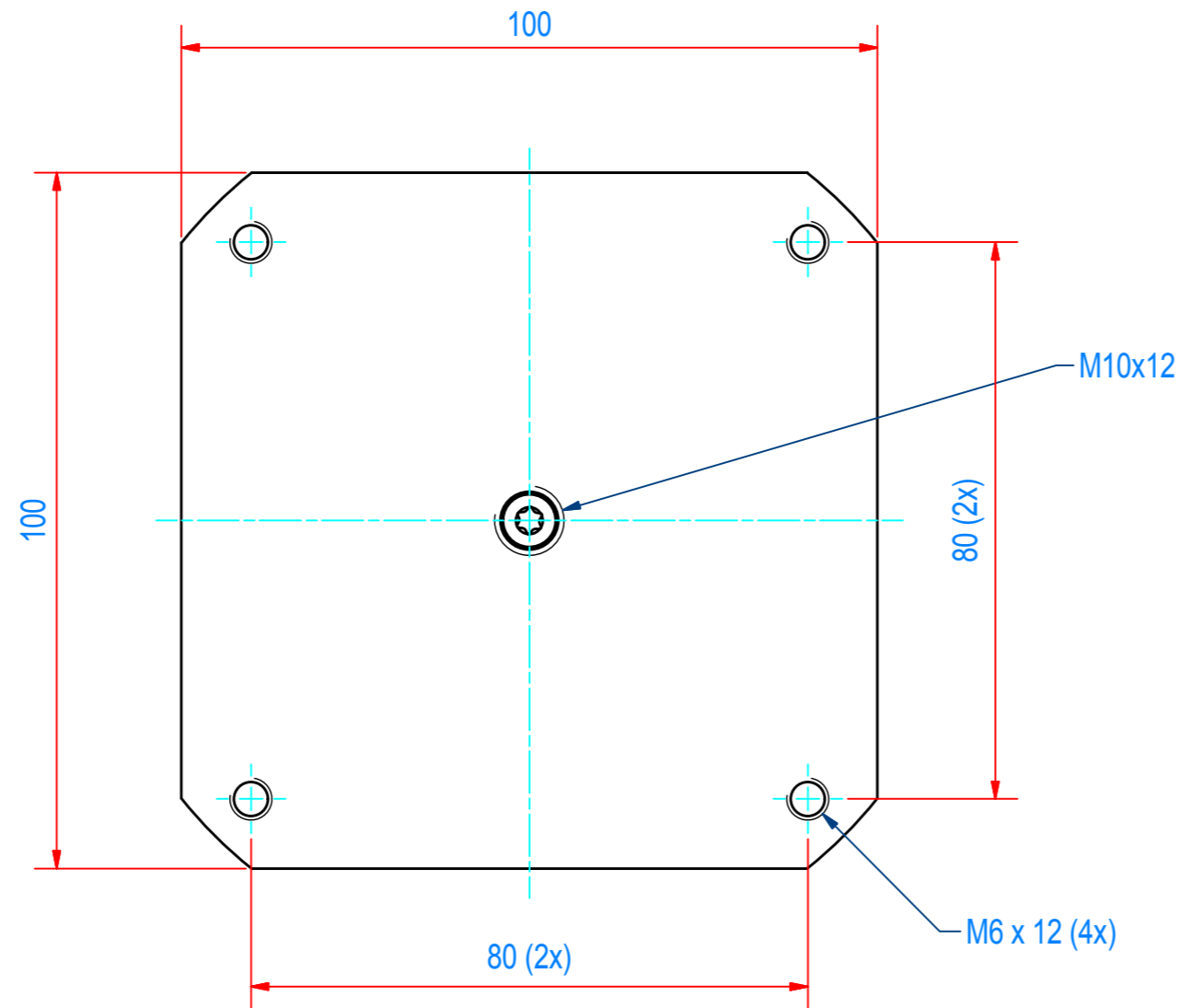


REV	DATE	BY	DESCRIPTION
-	2-7-2013	PB	NEW VAULT, NEW REVISION. NOTHING CHANGED. OLD REV WAS A
A	10-7-2014	PB	E0018884 WAS A190495.



ITEM	QTY	PART NUMBER	DESCRIPTION	Dimensions
2	1	E0038043	STICKER TPGC100078	
1	1	E0018884	MOUNTING ASSY TPGC100HT	
RAW MAT.	1			
QTY		MAT. NUMBER	MAT. DESCRIPTION	LENGTH (mm) WIDTH (mm)
Sheet: A2		Extra info:		General tolerance: ISO 2768- mK
Drawn: PB		Weight (kg): 1,5		Drawn according: ISO268; ISO1101; ISO2553
Date: 2-7-2013		Status: Standard		Customer reference number:
Spare part: False		File number: TPGC100378		Rev: A
Quick search: TPGC100		Description: HGR-SQ-100-FL-RH-G-F		Part number: TPGC100378
				Rev: A



© All rights reserved. Reproduction is not permitted without written permission of GOUDSMIT Magnetic Systems BV