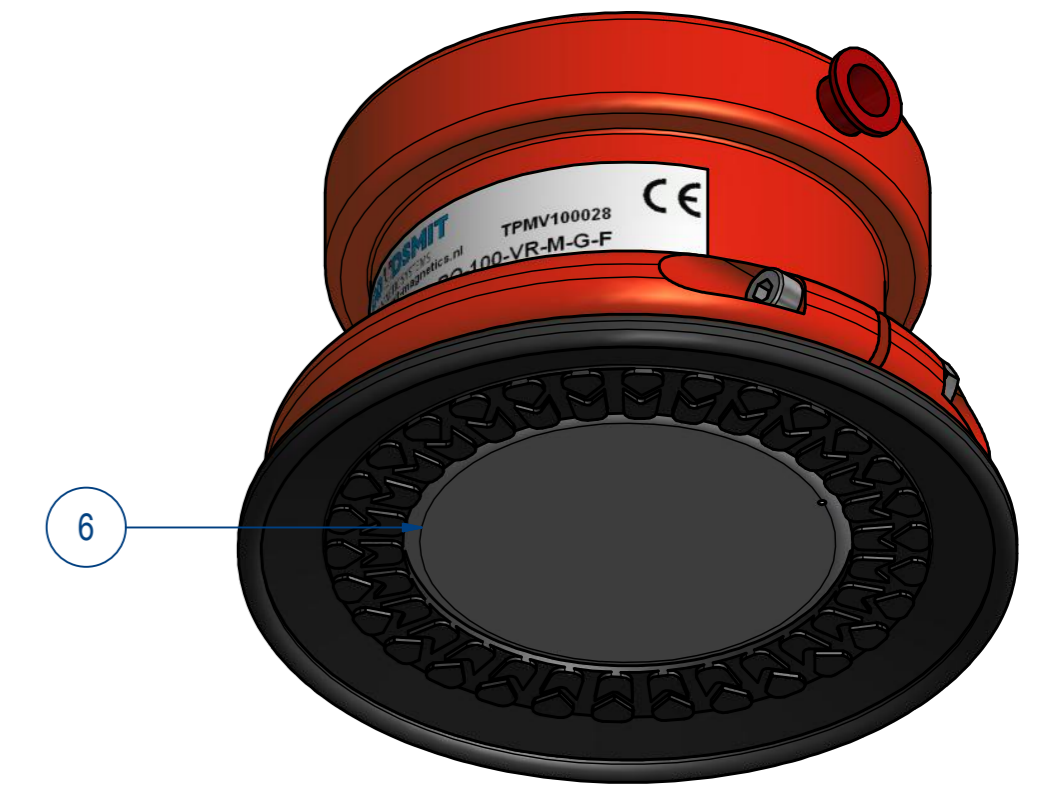
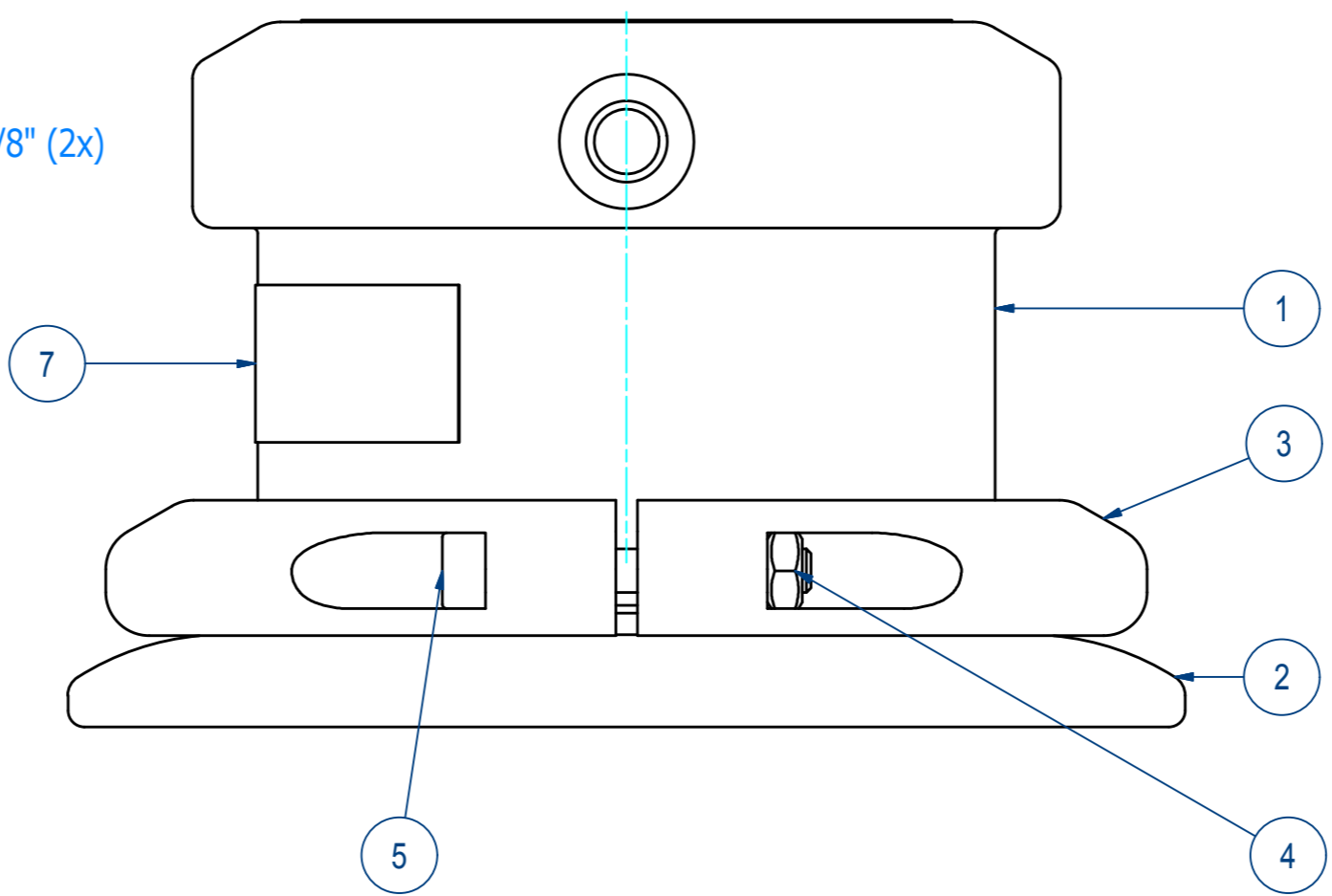
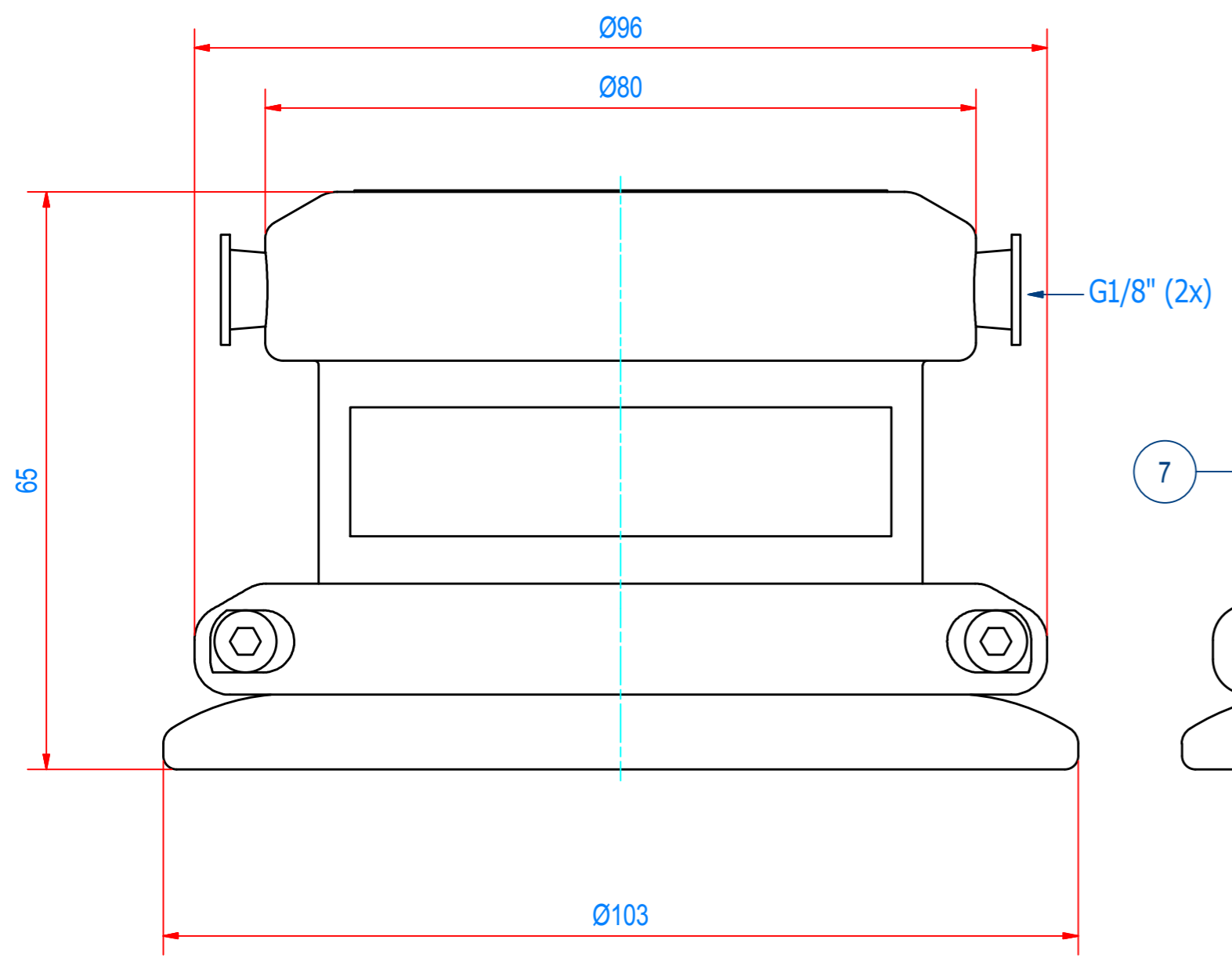
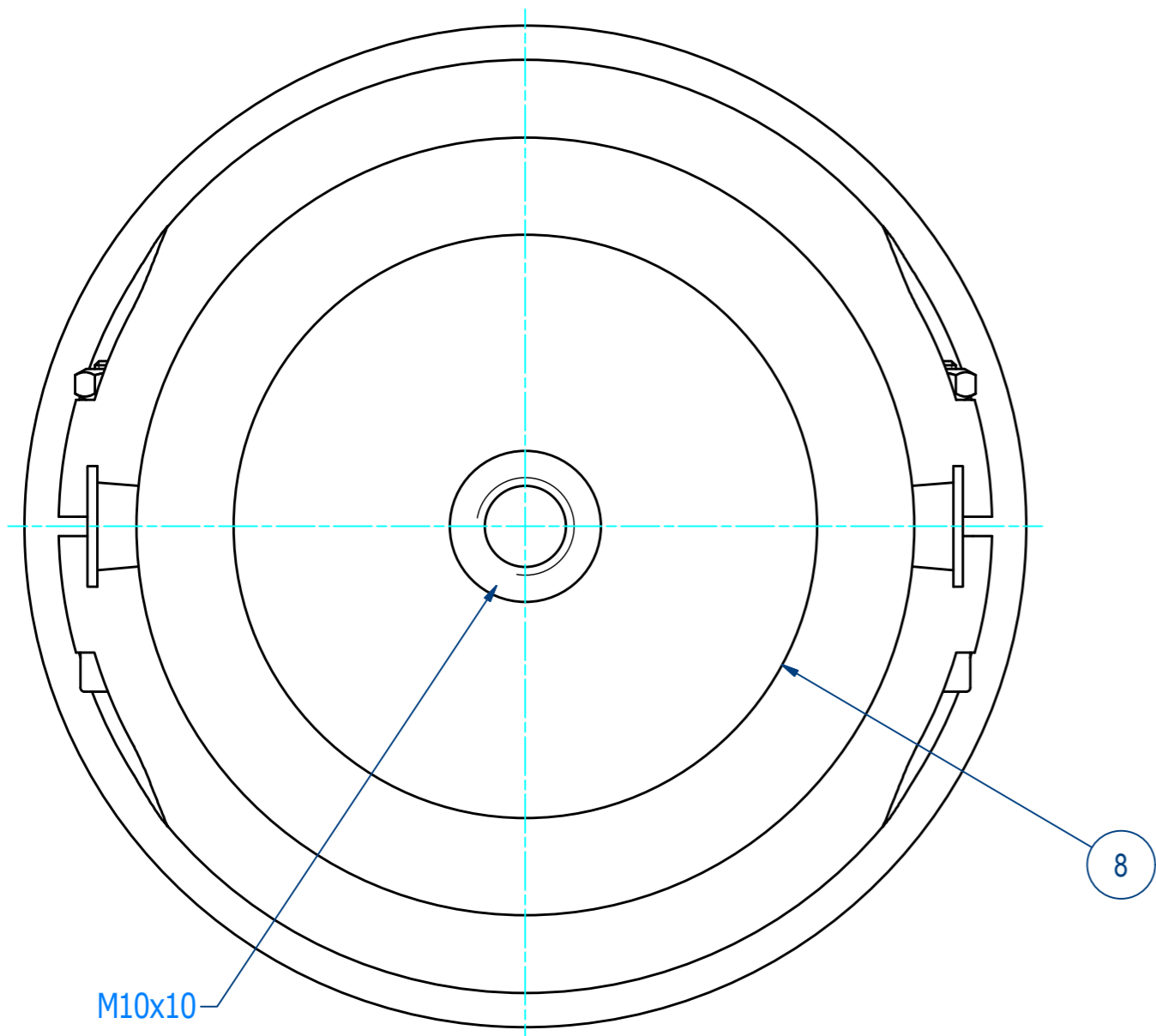


REV	DATE	BY	DESCRIPTION
-	18-12-2013	BS	NEW VAULT, NOTHING CHANGED, IS EQUAL TO OLD REVISION B

NEXT STEP automation

(주)넥스텝
 Tel. 053-604-3040 Fax. 053-604-3042
 Web.nstep.co.kr Mob.010-4488-3040



ITEM	QTY	PART NUMBER	DESCRIPTION	Dimensions
8	1	E0038135	STICKER TOP_D100 d = 60 mm	
7	1	E0037979	STICKER TPMV100028	
6	1	M35636	BOTTOM COVER TP100 VACUUM HOLE	
5	2	51.0104030	SCREW, HEX SH M4 x 30 - St8.8 Zn	M4 x 30
4	2	60.0100004	NUT, HEX M4 - St8 Zn	M4
3	2	M35605	CLEAT TP100	
2	1	M60074	VACUUM PAD DIA 100	
1	1	M35618	ASSY TP-100028	

RAW MAT.	QTY	MAT. NUMBER	MAT. DESCRIPTION	LENGTH (mm)	WIDTH (mm)
⊕	1				

Sheet: A2	Extra info:	General tolerance: ISO 2768- mK
Drawn: BS	Weight (kg): 0,7	Drawn according: ISO268; ISO1101; ISO2553
Date: 17-12-2013		Status: Standard
Spare part: False		Customer reference number:
Quick search: TPMV100	© All rights reserved. Reproduction is not permitted without written permission of GOUDSMIT Magnetic Systems BV	File number: TPMV100028
Description: HGC-RO-100-VR-M-G-F		Part number: TPMV100028